

Levelling feet


Material:

Foot plate and threaded spindle in steel.

Version:

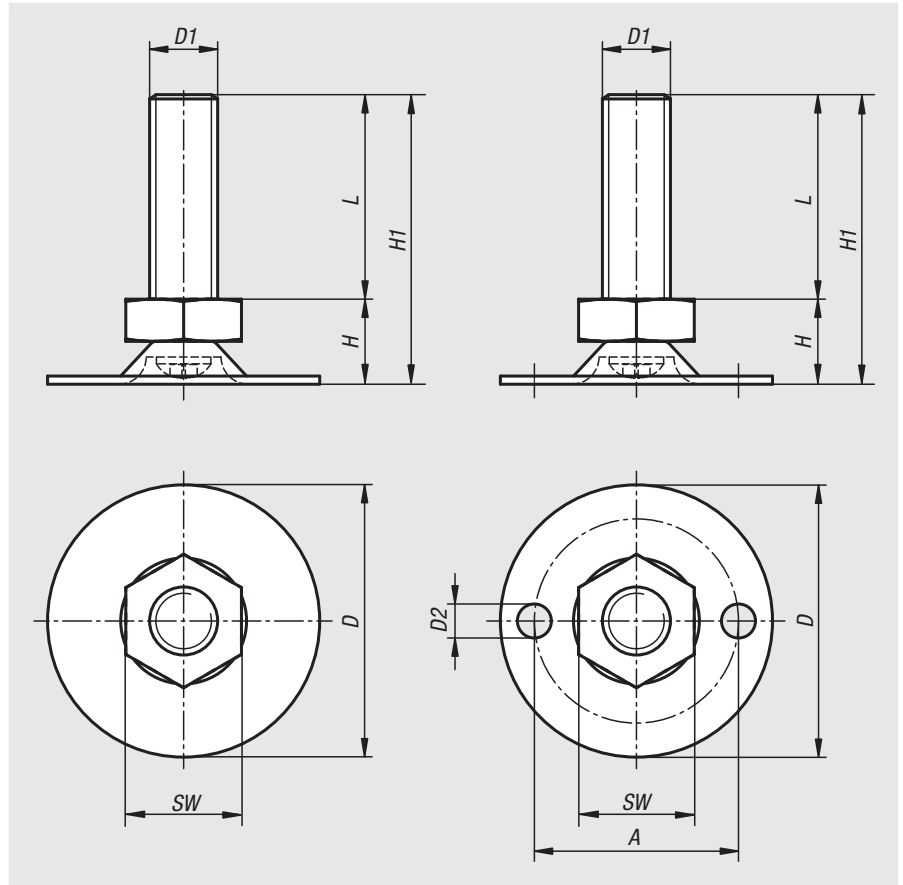
Foot plate and threaded spindle electro zinc-plated.

Sample order:

nIm 27798-03008X016
(include length L)

Note:

The threaded spindle is pressed into the rotatable base.



Order No. without hole	Order No. with hole	A	D	D1	D2	H	H1	SW	L	Load rating max. kN (static load only)
27798-03008X	27798-13008X	-/24,3	30	M8	-/4	11	27/31/41/51/61	13	16/20/30/40/50	2,5
27798-03010X	27798-13010X	-/24,3	30	M10	-/4	12,5	28,5/32,5/42,5/52,5/62,5/72,5	17	16/20/30/40/50/60	3,5
27798-04008X	27798-14008X	-/30	40	M8	-/5	11	27/31/41/51/61	13	16/20/30/40/50	2,5
27798-04010X	27798-14010X	-/30	40	M10	-/5	11	27/31/41/51/61/71	17	16/20/30/40/50/60	3,5
27798-05008X	27798-15008X	-/35	50	M8	-/5,5	12,5	28,5/32,5/42,5/52,5/62,5	13	16/20/30/40/50	2,5
27798-05010X	27798-15010X	-/35	50	M10	-/5,5	14	30/34/44/54/64/74	17	16/20/30/40/50/60	3,5
27798-06008X	27798-16008X	-/46	60	M8	-/5,5	13,5	29,5/33,5/43,5/53,5/63,5	13	16/20/30/40/50	2,5
27798-06010X	27798-16010X	-/46	60	M10	-/5,5	15	31/35/45/55/65/75	17	16/20/30/40/50/60	3,5