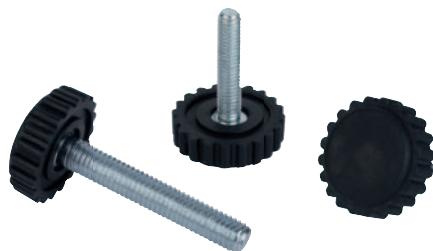


# Levelling feet

with knurled base



**Material:**

Polyamide.  
Screw, steel.

**Version:**

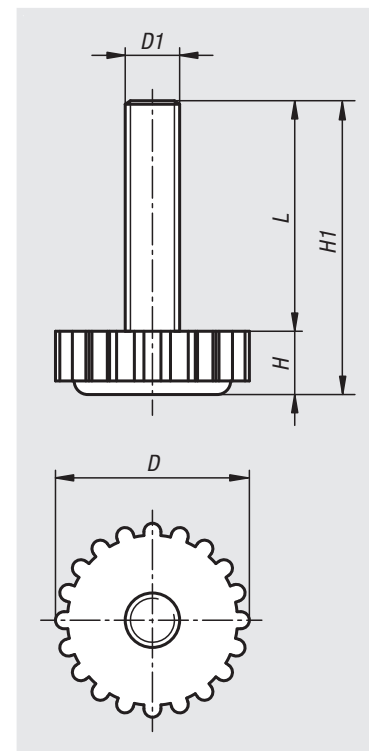
Black.  
Screw electro zinc-plated.

**Sample order:**

nIm 27797-2805X016  
(include length L)

**Note:**

Levelling feet with knurled base. Rigid version.



Order No.	D	D1	H	H1	L	Load rating max. kN (static load only)
27797-2805X	28,5	M5	9,3	25,3/29,3/34,3/49,3	16/20/25/40	2
27797-2806X	28,5	M6	9,3	25,3/29,3/39,3/49,3/59,3	16/20/30/40/50	3,5
27797-2808X	28,5	M8	9,3	25,3/29,3/39,3/49,3/59,3/69,3/89,3	16/20/30/40/50/60/80	4,5