

Levelling feet round

with hex. collar



Material:

Polyamide.
Screw, steel.

Version:

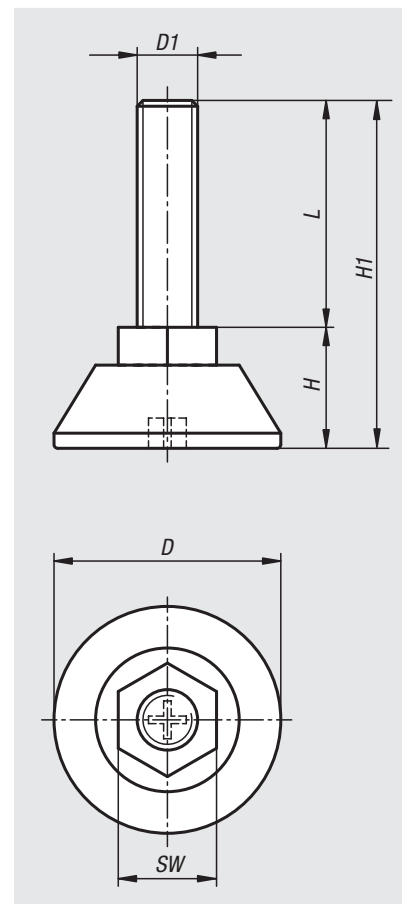
Black.
Screw electro zinc-plated.

Sample order:

nIm 27795-3006X020
(include length L)

Note:

Levelling feet with hexagonal collar and cross slot in the base as assembly aid. Rigid version.



Order No.	D	D1	H	H1	SW	L	Load rating max. kN (static load only)
27795-3006X	30	M6	16	36/46	13	20/30	3
27795-3008X	30	M8	16	31/36/41/46/56	13	15/20/25/30/40	3
27795-4708X	47	M8	16	31/36/46/56	13	15/20/30/40	4
27795-4710X	47	M10	16	36/46	17	20/30	4