

Levelling feet round

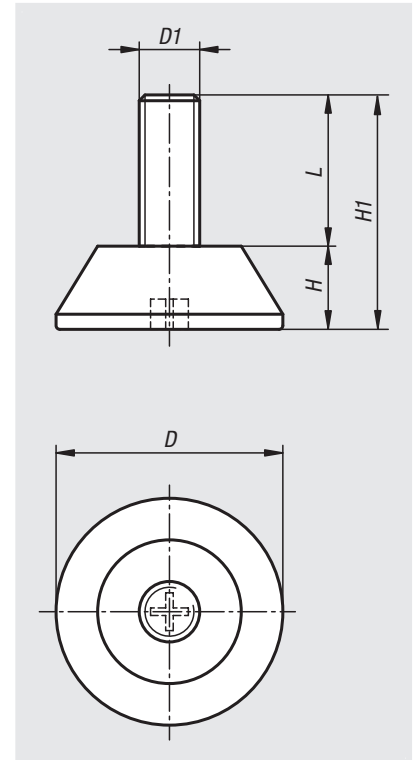


Material:
Polyamide.
Screw, steel.

Version:
Black.
Screw electro zinc-plated.

Sample order:
nlm 27794-3006X020
(include length L)

Note:
Levelling feet with cross slot in the base as assembly aid.
Rigid version.



Order No.	D	D1	H	H1	L	Load rating max. kN (static load only)
27794-3006X	30	M6	11	31/41	20/30	3
27794-3008X	30	M8	11	27/31/36/41/51	16/20/25/30/40	3
27794-3010X	30	M10	11	36/41/46	25/30/35	3
27794-4708X	47	M8	11	27/31/41/51	16/20/30/40	4
27794-4710X	47	M10	11	31/41/66	20/30/55	4