

Swivel feet

steel



Material:

Foot plate and threaded spindle steel.
Anti-slip plate (NBR) 70 Shore.

Version:

Foot plate painted yellow.
Threaded spindle electro zinc-plated.
Anti-slip plate black.

Sample order:

nIm 27792-005010X25
(include length L)

Note:

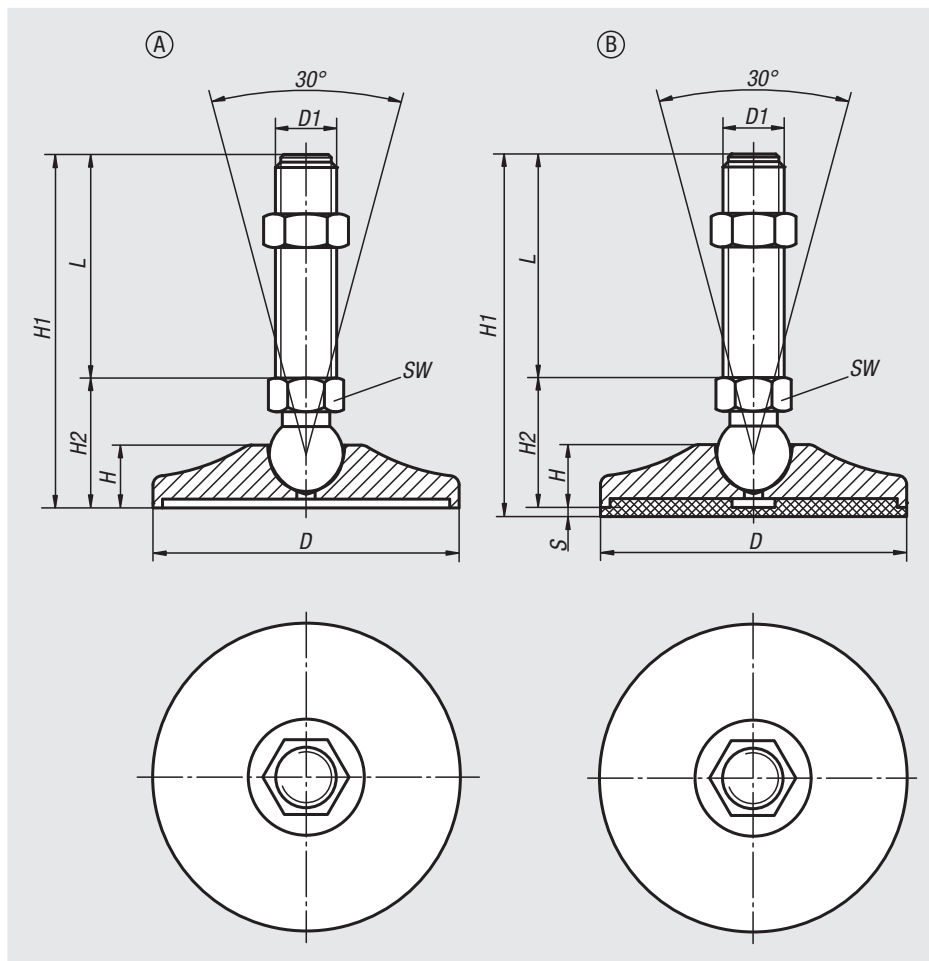
High load rated steel swivel feet with yellow painted plate, optional with an anti-slip plate. The anti-slip plate absorbs vibrations and prevents the swivel foot slipping.

The load values specified in the table are based on a test series, in which a static load was applied perpendicular to the plates through the centre of the spindle. Radially acting forces such as those produced by vibrations or other shaking effects, affect the load rating and are not taken into account for the specified values.

Supplied with matching nut.

Drawing reference:

Form A without anti-slip plate
Form B with anti-slip plate



Swivel feet

steel



Order No. Form A	D	D1	H	H1	H2	SW	L	Load rating max. kN (static load only)
27792-005010X	50	M10	16	53/78/103/128/153	28	14	25/50/75/100/125	15
27792-005012X	50	M12	16	53/78/103/128/153	28	14	25/50/75/100/125	15
27792-005014X	50	M14	16	53/78/103/128/153	28	14	25/50/75/100/125	15
27792-006514X	65	M14	17	80/105/130/155/180	30	14	50/75/100/125/150	20
27792-006516X	65	M16	17	80/105/130/155/180/205	30	16	50/75/100/125/150/175	20
27792-008016X	80	M16	19,5	83/108/133/158/183/208/233	33	16	50/75/100/125/150/175/200	30
27792-008020X	80	M20	19,5	111/136/161/186/211/236	36	17	75/100/125/150/175/200	30
27792-010016X	100	M16	20	93/118/143/168/193/218/243	43	20	50/75/100/125/150/175/200	35
27792-010020X	100	M20	20	118/143/168/193/218/243	43	20	75/100/125/150/175/200	45
27792-010024X	100	M24	20	119/144/169/194/219/244	44	20	75/100/125/150/175/200	55

Order No. Form B	D	D1	H	H1	H2	S	SW	L	Load rating max. kN (static load only)
27792-105010X	50	M10	16	56/81/106/131/156	28	3	14	25/50/75/100/125	15
27792-105012X	50	M12	16	56/81/106/131/156	28	3	14	25/50/75/100/125	15
27792-105014X	50	M14	16	56/81/106/131/156	28	3	14	25/50/75/100/125	15
27792-106514X	65	M14	17	83/108/133/158/183	30	3	14	50/75/100/125/150	20
27792-106516X	65	M16	17	83/108/133/158/183/208	30	3	16	50/75/100/125/150/175	20
27792-108016X	80	M16	19,5	86/111/136/161/186/211/236	33	3	16	50/75/100/125/150/175/200	30
27792-108020X	80	M20	19,5	114/139/164/189/214/239	36	3	17	75/100/125/150/175/200	30
27792-110016X	100	M16	20	96/121/146/171/196/221/246	43	3	20	50/75/100/125/150/175/200	35
27792-110020X	100	M20	20	121/146/171/196/221/246	43	3	20	75/100/125/150/175/200	45
27792-110024X	100	M24	20	122/147/172/197/222/247	44	3	20	75/100/125/150/175/200	55