

# Levelling wedges, steel

free-standing



**Material:**

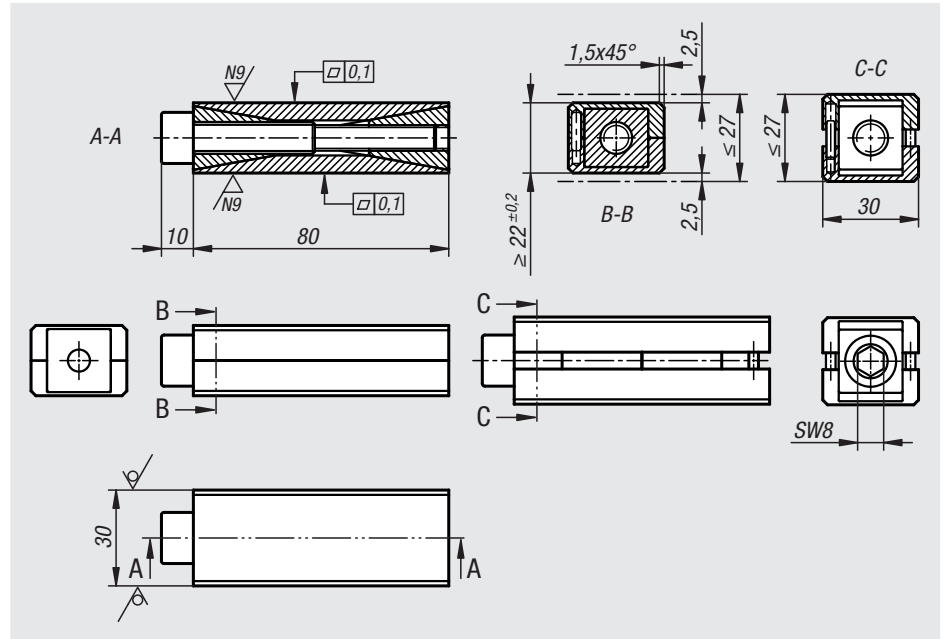
Steel.

**Sample order:**

nIm 27710-090030027

**Note:**

Adjustment load up to one tonne.



Order No.	Fine adjustment (mm)	Adj. load (kN)	Height adjustment per rotation (mm)
27710-090030027	5	70	0,353