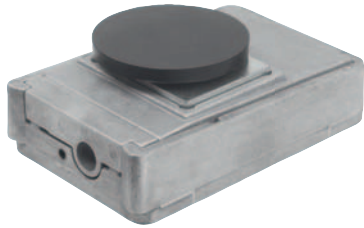


Levelling wedges, aluminium

with non-slip insulating layer, free-standing



Material:

Housing aluminium, support surface nitrile rubber.

Version:

Free-standing.

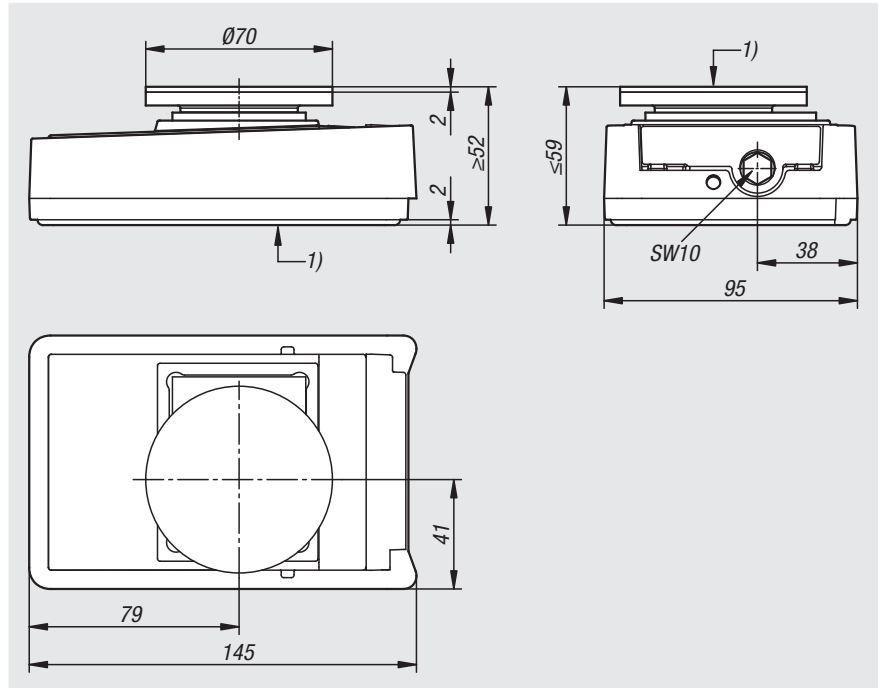
Sample order:

nIm 27710-25-145095059

Note:

The low non-slip levelling wedges are suitable for loads of up to 7 tonnes. The spherical, vulcanised nitrile rubber support surface with a hardness of Shore 80 (1) can compensate for any unevenness.

The vulcanised Shore 80 nitrile rubber anti-slip face (1) provides permanent insulation from vibrations, noise, and corrosive media.



2000
21000
22000
23000
24000
26000
27000
28000
29000
31000
32000
33000

Order No.	Fine adjustment (mm)	Adj. load (kN)	Torque on setscrew (Nm)	Height adjustment per rotation (mm)
27710-25-145095059	7	70	35	0,275