

Levelling wedges, aluminium

with adhesive anchor



Material:

Housing aluminium, adhesive anchor steel.

Sample order:

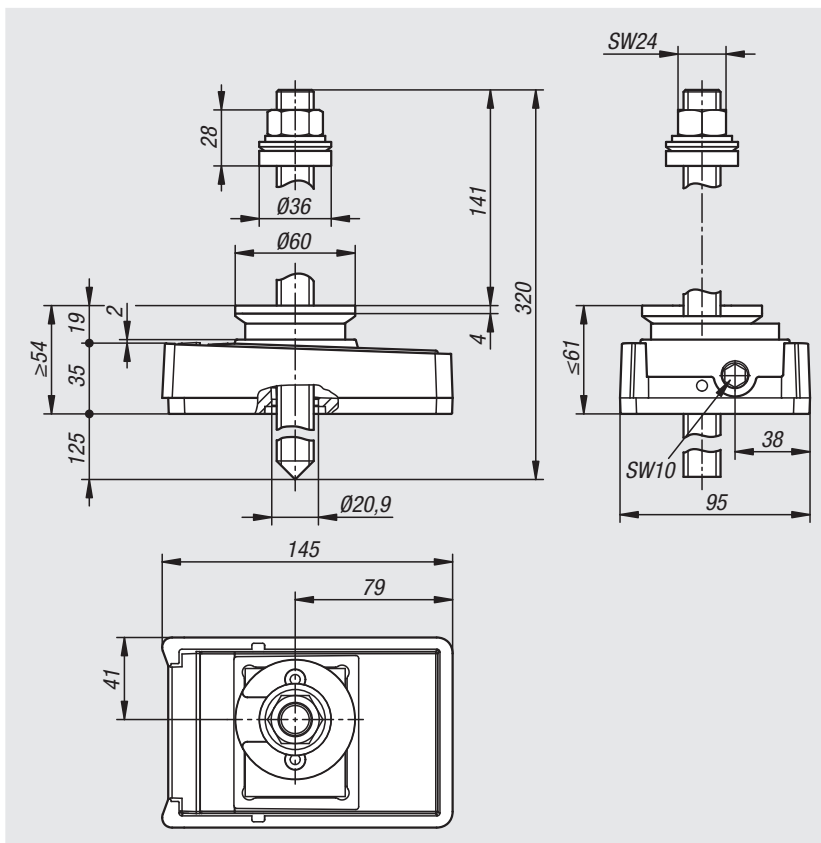
nIm 27710-20-145095061

Note:

Suitable for adjustment loads of up to 7 tonnes. The levelling wedges can be used for fastening machines or peripheral devices. The levelling wedges are anchored to the floor using an adhesive anchor.

Supplied with:

Adhesive anchor M16X320 is supplied fully assembled.
Spacer washer (27710-30-10604) supplied.



Order No.	Fine adjustment (mm)	Adj. load (kN)	Torque on setscrew (Nm)	Height adjustment per rotation (mm)
27710-20-145095061	7	70	35	0,275