

# Levelling sets

spherical washer with locknut



### Material:

Steel 1.7225.

Stainless steel 1.4305.

### Version:

Seel version trivalent blue passivated.

Stainless steel version bright.

### Sample order:

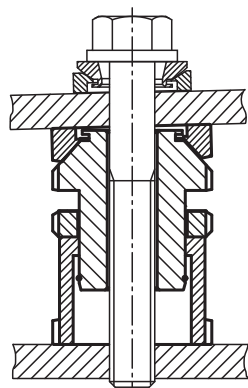
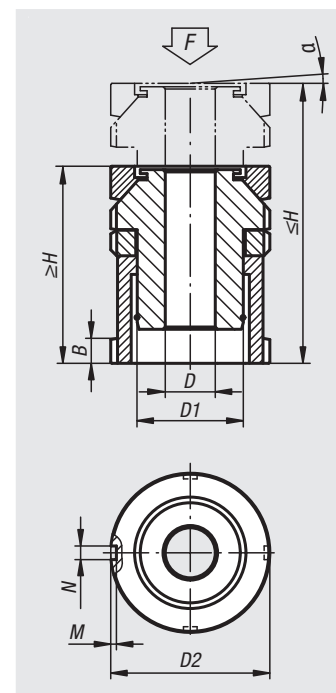
nIm 27708-1006

### Note:

The spherical washer levelling sets are used to mount and align motors, aggregates, drive units and production lines. The spherical washer permits exact alignment when mounting sloping surfaces of up to 4°. The locknut secures a prescribed adjustment. These levellers have a long travel of 10 mm to 39 mm.

### Accessories:

Spherical levelling washers 07460



Order No.	Main material	D	for screw	D1	D2	H min.	H max.	B	N	M	$\alpha$	F kN
27708-1006	high carbon steel	6,6	M6	M15x1	25	40	50	5	4	2	4°	40
27708-1406	high carbon steel	6,6	M6	M20x1	32	49	63	6	4	2	4°	65
27708-1408	high carbon steel	9	M8	M20x1	32	49	63	6	4	2	4°	65
27708-1410	high carbon steel	11	M10	M20x1	32	49	63	6	4	2	4°	65
27708-1810	high carbon steel	11	M10	M30x1,5	45	61	79	7	5	2	4°	120
27708-1812	high carbon steel	13,5	M12	M30x1,5	45	61	79	7	5	2	4°	120
27708-1816	high carbon steel	17,5	M16	M30x1,5	45	61	79	7	5	2	4°	120
27708-2316	high carbon steel	17,5	M16	M40x1,5	58	79	102	9	6	2,5	4°	210
27708-2320	high carbon steel	22	M20	M40x1,5	58	79	102	9	6	2,5	4°	210
27708-2324	high carbon steel	26	M24	M40x1,5	58	79	102	9	6	2,5	4°	210
27708-2920	high carbon steel	22	M20	M50x1,5	70	94	123	11	6	2,5	4°	330
27708-2924	high carbon steel	26	M24	M50x1,5	70	94	123	11	6	2,5	4°	330
27708-2930	high carbon steel	33	M30	M50x1,5	70	94	123	11	6	2,5	4°	330
27708-3924	high carbon steel	26	M24	M60x2	80	105	144	11	7	3	4°	495
27708-3930	high carbon steel	33	M30	M60x2	80	105	144	11	7	3	4°	495
27708-10061	stainless steel	6,6	M6	M15x1	25	40	50	5	4	2	4°	27,1
27708-14061	stainless steel	6,6	M6	M20x1	32	49	63	6	4	2	4°	43,4
27708-14081	stainless steel	9	M8	M20x1	32	49	63	6	4	2	4°	43,4
27708-14101	stainless steel	11	M10	M20x1	32	49	63	6	4	2	4°	43,4
27708-18101	stainless steel	11	M10	M30x1,5	45	61	79	7	5	2	4°	84
27708-18121	stainless steel	13,5	M12	M30x1,5	45	61	79	7	5	2	4°	84
27708-18161	stainless steel	17,5	M16	M30x1,5	45	61	79	7	5	2	4°	84
27708-23161	stainless steel	17,5	M16	M40x1,5	58	79	102	9	6	2,5	4°	148
27708-23201	stainless steel	22	M20	M40x1,5	58	79	102	9	6	2,5	4°	148
27708-23241	stainless steel	26	M24	M40x1,5	58	79	102	9	6	2,5	4°	148
27708-29201	stainless steel	22	M20	M50x1,5	70	94	123	11	6	2,5	4°	225
27708-29241	stainless steel	26	M24	M50x1,5	70	94	123	11	6	2,5	4°	225
27708-29301	stainless steel	33	M30	M50x1,5	70	94	123	11	6	2,5	4°	225
27708-39241	stainless steel	26	M24	M60x2	80	105	144	11	7	3	4°	323
27708-39301	stainless steel	33	M30	M60x2	80	105	144	11	7	3	4°	323