

Levelling sets

spherical washer



Material:

Steel 1.7225.

Stainless steel 1.4305.

Version:

Seel version trivalent blue passivated.

Stainless steel version bright.

Sample order:

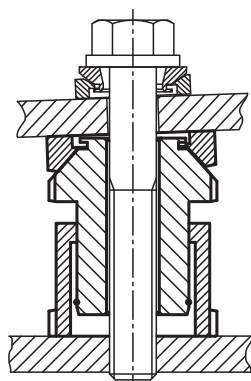
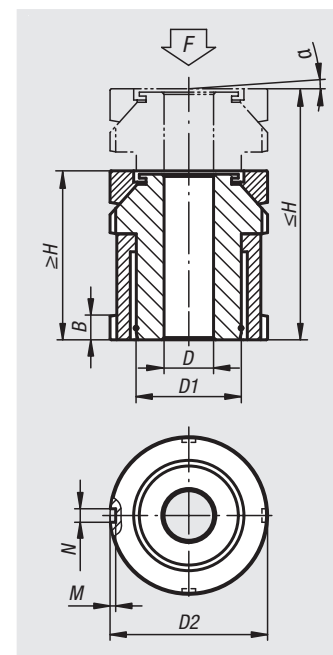
nIm 27707-1506

Note:

The spherical washer levelling sets are used to mount and align motors, aggregates, drive units and production lines. The spherical washer permits exact alignment when mounting sloping surfaces of up to 4°. These levellers have a long travel of 15 mm to 50 mm.

Accessories:

Spherical levelling washers 07460



Order No.	Main material	D	for screw	D1	D2	H min.	H max.	B	N	M	α	F kN
27707-1506	high carbon steel	6,6	M6	M15x1	25	35	50	5	4	2	4°	40
27707-2006	high carbon steel	6,6	M6	M20x1	32	43	63	6	4	2	4°	65
27707-2008	high carbon steel	9	M8	M20x1	32	43	63	6	4	2	4°	65
27707-2010	high carbon steel	11	M10	M20x1	32	43	63	6	4	2	4°	65
27707-2510	high carbon steel	11	M10	M30x1,5	45	54	79	7	5	2	4°	120
27707-2512	high carbon steel	13,5	M12	M30x1,5	45	54	79	7	5	2	4°	120
27707-2516	high carbon steel	17,5	M16	M30x1,5	45	54	79	7	5	2	4°	120
27707-3216	high carbon steel	17,5	M16	M40x1,5	58	70	102	9	6	2,5	4°	210
27707-3220	high carbon steel	22	M20	M40x1,5	58	70	102	9	6	2,5	4°	210
27707-3224	high carbon steel	26	M24	M40x1,5	58	70	102	9	6	2,5	4°	210
27707-4020	high carbon steel	22	M20	M50x1,5	70	83	123	11	6	2,5	4°	330
27707-4024	high carbon steel	26	M24	M50x1,5	70	83	123	11	6	2,5	4°	330
27707-4030	high carbon steel	33	M30	M50x1,5	70	83	123	11	6	2,5	4°	330
27707-5024	high carbon steel	26	M24	M60x2	80	94	144	11	7	3	4°	495
27707-5030	high carbon steel	33	M30	M60x2	80	94	144	11	7	3	4°	495
27707-15061	stainless steel	6,6	M6	M15x1	25	35	50	5	4	2	4°	27,1
27707-20061	stainless steel	6,6	M6	M20x1	32	43	63	6	4	2	4°	43,4
27707-20081	stainless steel	9	M8	M20x1	32	43	63	6	4	2	4°	43,4
27707-20101	stainless steel	11	M10	M20x1	32	43	63	6	4	2	4°	43,4
27707-25101	stainless steel	11	M10	M30x1,5	45	54	79	7	5	2	4°	84
27707-25121	stainless steel	13,5	M12	M30x1,5	45	54	79	7	5	2	4°	84
27707-25161	stainless steel	17,5	M16	M30x1,5	45	54	79	7	5	2	4°	84
27707-32161	stainless steel	17,5	M16	M40x1,5	58	70	102	9	6	2,5	4°	148
27707-32201	stainless steel	22	M20	M40x1,5	58	70	102	9	6	2,5	4°	148
27707-32241	stainless steel	26	M24	M40x1,5	58	70	102	9	6	2,5	4°	148
27707-40201	stainless steel	22	M20	M50x1,5	70	83	123	11	6	2,5	4°	225
27707-40241	stainless steel	26	M24	M50x1,5	70	83	123	11	6	2,5	4°	225
27707-40301	stainless steel	33	M30	M50x1,5	70	83	123	11	6	2,5	4°	225
27707-50241	stainless steel	26	M24	M60x2	80	94	144	11	7	3	4°	323
27707-50301	stainless steel	33	M30	M60x2	80	94	144	11	7	3	4°	323