

Levelling sets

spherical washer



Material:

Steel 1.7225.

Stainless steel 1.4305.

Version:

Steel version trivalent blue passivated.

Stainless steel version bright.

Sample order:

nIm 27705-0406

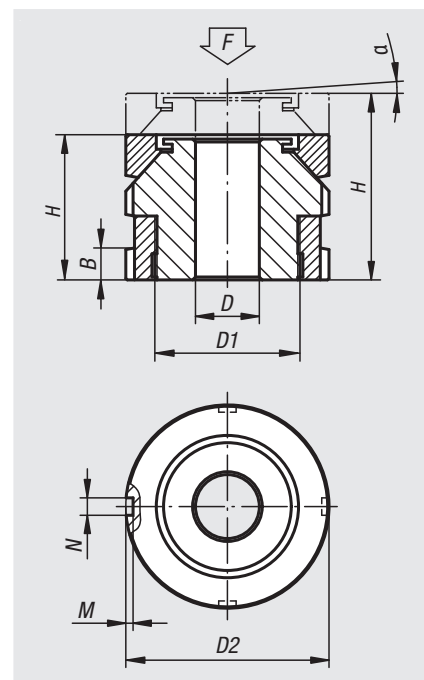
Note:

Levelling sets with spherical washers are used for mounting, levelling and aligning motors, aggregates, drive units and assembly lines.

The spherical washer permits exact alignment when mounting inclined surfaces of up to 4°.

Accessories:

Spherical levelling washers 07460



Order No.	Main material	D	for screw	D1	D2	H min.	H max.	B	N	M	α	F kN
27705-0406	high carbon steel	6,6	M6	M15x1	25	22	26	5	4	2	4°	40
27705-0506	high carbon steel	6,6	M6	M20x1	32	26	31	6	4	2	4°	65
27705-0508	high carbon steel	9	M8	M20x1	32	26	31	6	4	2	4°	65
27705-0510	high carbon steel	11	M10	M20x1	32	26	31	6	4	2	4°	65
27705-0710	high carbon steel	11	M10	M30x1,5	45	34	41	7	5	2	4°	120
27705-0712	high carbon steel	13,5	M12	M30x1,5	45	34	41	7	5	2	4°	120
27705-0716	high carbon steel	17,5	M16	M30x1,5	45	34	41	7	5	2	4°	120
27705-0916	high carbon steel	17,5	M16	M40x1,5	58	44	53	9	6	2,5	4°	210
27705-0920	high carbon steel	22	M20	M40x1,5	58	44	53	9	6	2,5	4°	210
27705-0924	high carbon steel	26	M24	M40x1,5	58	44	53	9	6	2,5	4°	210
27705-1020	high carbon steel	22	M20	M50x1,5	70	50	60	11	6	2,5	4°	330
27705-1024	high carbon steel	26	M24	M50x1,5	70	50	60	11	6	2,5	4°	330
27705-1030	high carbon steel	33	M30	M50x1,5	70	50	60	11	6	2,5	4°	330
27705-1224	high carbon steel	26	M24	M60x2	80	56	68	11	7	3	4°	495
27705-1230	high carbon steel	33	M30	M60x2	80	56	68	11	7	3	4°	495
27705-04061	stainless steel	6,6	M6	M15x1	25	22	26	5	4	2	4°	27,1
27705-05061	stainless steel	6,6	M6	M20x1	32	26	31	6	4	2	4°	43,4
27705-05081	stainless steel	9	M8	M20x1	32	26	31	6	4	2	4°	43,4
27705-05101	stainless steel	11	M10	M20x1	32	26	31	6	4	2	4°	43,4
27705-07101	stainless steel	11	M10	M30x1,5	45	34	41	7	5	2	4°	84
27705-07121	stainless steel	13,5	M12	M30x1,5	45	34	41	7	5	2	4°	84
27705-07161	stainless steel	17,5	M16	M30x1,5	45	34	41	7	5	2	4°	84
27705-09161	stainless steel	17,5	M16	M40x1,5	58	44	53	9	6	2,5	4°	148
27705-09201	stainless steel	22	M20	M40x1,5	58	44	53	9	6	2,5	4°	148
27705-09241	stainless steel	26	M24	M40x1,5	58	44	53	9	6	2,5	4°	148
27705-10201	stainless steel	22	M20	M50x1,5	70	50	60	11	6	2,5	4°	225
27705-10241	stainless steel	26	M24	M50x1,5	70	50	60	11	6	2,5	4°	225
27705-10301	stainless steel	33	M30	M50x1,5	70	50	60	11	6	2,5	4°	225
27705-12241	stainless steel	26	M24	M60x2	80	56	68	11	7	3	4°	323
27705-12301	stainless steel	33	M30	M60x2	80	56	68	11	7	3	4°	323