

Levelling sets

low version



Material:

Steel 1.7225.

Stainless steel 1.4305.

Version:

Steel version trivalent blue passivated.

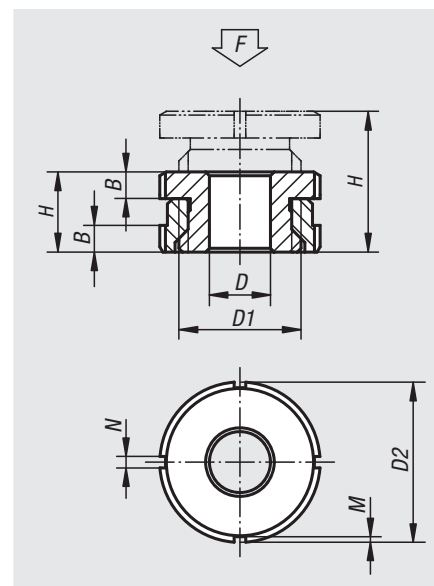
Stainless steel version bright.

Sample order:

nIm 27702-0404

Note:

Levelling sets are used for mounting, levelling and aligning motors, aggregates, drive units and assembly lines. This levelling set has an extremely low height. Single levelling sets can be set at several mounting points to achieve a precise and torsion-free alignment.



Order No.	Main material	D	for screw	D1	D2	H min.	H max.	B	N	M	F kN
27702-0404	high carbon steel	4,5	M4	M15x1	25	15	19	5	4	2	40
27702-0405	high carbon steel	5,5	M5	M15x1	25	15	19	5	4	2	40
27702-0406	high carbon steel	6,6	M6	M15x1	25	15	19	5	4	2	40
27702-0506	high carbon steel	6,6	M6	M20x1	32	18	23	6	4	2	65
27702-0508	high carbon steel	9	M8	M20x1	32	18	23	6	4	2	65
27702-0510	high carbon steel	11	M10	M20x1	32	18	23	6	4	2	65
27702-0710	high carbon steel	11	M10	M30x1,5	45	22	29	7	5	2	120
27702-0712	high carbon steel	13,5	M12	M30x1,5	45	22	29	7	5	2	120
27702-0716	high carbon steel	17,5	M16	M30x1,5	45	22	29	7	5	2	120
27702-0916	high carbon steel	17,5	M16	M40x1,5	58	28	37	9	6	2,5	210
27702-0920	high carbon steel	22	M20	M40x1,5	58	28	37	9	6	2,5	210
27702-0924	high carbon steel	26	M24	M40x1,5	58	28	37	9	6	2,5	210
27702-1020	high carbon steel	22	M20	M50x1,5	70	33	43	11	6	2,5	330
27702-1024	high carbon steel	26	M24	M50x1,5	70	33	43	11	6	2,5	330
27702-1030	high carbon steel	33	M30	M50x1,5	70	33	43	11	6	2,5	330
27702-04041	stainless steel	4,5	M4	M15x1	25	15	19	5	4	2	27,1
27702-04051	stainless steel	5,5	M5	M15x1	25	15	19	5	4	2	27,1
27702-04061	stainless steel	6,6	M6	M15x1	25	15	19	5	4	2	27,1
27702-05061	stainless steel	6,6	M6	M20x1	32	18	23	6	4	2	43,4
27702-05081	stainless steel	9	M8	M20x1	32	18	23	6	4	2	43,4
27702-05101	stainless steel	11	M10	M20x1	32	18	23	6	4	2	43,4
27702-07101	stainless steel	11	M10	M30x1,5	45	22	29	7	5	2	84
27702-07121	stainless steel	13,5	M12	M30x1,5	45	22	29	7	5	2	84
27702-07161	stainless steel	17,5	M16	M30x1,5	45	22	29	7	5	2	84
27702-09161	stainless steel	17,5	M16	M40x1,5	58	28	37	9	6	2,5	148
27702-09201	stainless steel	22	M20	M40x1,5	58	28	37	9	6	2,5	148
27702-09241	stainless steel	26	M24	M40x1,5	58	28	37	9	6	2,5	148
27702-10201	stainless steel	22	M20	M50x1,5	70	33	43	11	6	2,5	225
27702-10241	stainless steel	26	M24	M50x1,5	70	33	43	11	6	2,5	225
27702-10301	stainless steel	33	M30	M50x1,5	70	33	43	11	6	2,5	225

