

Levelling sets

with locknut



Material:

Steel 1.7225.

Stainless steel 1.4305.

Version:

Seel version trivalent blue passivated.

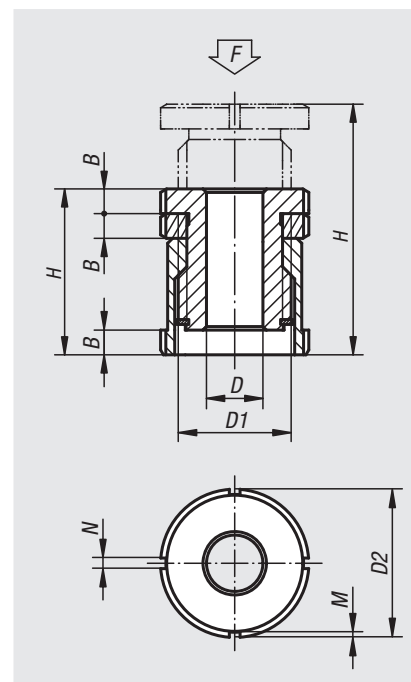
Stainless steel version bright.

Sample order:

nIm 27701-01004

Note:

Levelling sets are used for mounting, levelling and aligning motors, aggregates, drive units and assembly lines. The locknut locks the set height. Other sizes available on request.



Order No.	Main material	D	for screw	D1	D2	H min.	H max.	B	N	M	F kN
27701-01004	high carbon steel	4,5	M4	M15x1	25	33	43	5	4	2	40
27701-01005	high carbon steel	5,5	M5	M15x1	25	33	43	5	4	2	40
27701-01006	high carbon steel	6,6	M6	M15x1	25	33	43	5	4	2	40
27701-01406	high carbon steel	6,6	M6	M20x1	32	41	55	6	4	2	65
27701-01408	high carbon steel	9	M8	M20x1	32	41	55	6	4	2	65
27701-01410	high carbon steel	11	M10	M20x1	32	41	55	6	4	2	65
27701-01810	high carbon steel	11	M10	M30x1,5	45	49	67	7	5	2	120
27701-01812	high carbon steel	13,5	M12	M30x1,5	45	49	67	7	5	2	120
27701-01816	high carbon steel	17,5	M16	M30x1,5	45	49	67	7	5	2	120
27701-02316	high carbon steel	17,5	M16	M40x1,5	58	63	86	9	6	2,5	210
27701-02320	high carbon steel	22	M20	M40x1,5	58	63	86	9	6	2,5	210
27701-02324	high carbon steel	26	M24	M40x1,5	58	63	86	9	6	2,5	210
27701-02920	high carbon steel	22	M20	M50x1,5	70	77	106	11	6	2,5	330
27701-02924	high carbon steel	26	M24	M50x1,5	70	77	106	11	6	2,5	330
27701-02930	high carbon steel	33	M30	M50x1,5	70	77	106	11	6	2,5	330
27701-010041	stainless steel	4,5	M4	M15x1	25	33	43	5	4	2	27,1
27701-010051	stainless steel	5,5	M5	M15x1	25	33	43	5	4	2	27,1
27701-010061	stainless steel	6,6	M6	M15x1	25	33	43	5	4	2	27,1
27701-014061	stainless steel	6,6	M6	M20x1	32	41	55	6	4	2	43,4
27701-014081	stainless steel	9	M8	M20x1	32	41	55	6	4	2	43,4
27701-014101	stainless steel	11	M10	M20x1	32	41	55	6	4	2	43,4
27701-018101	stainless steel	11	M10	M30x1,5	45	49	67	7	5	2	84
27701-018121	stainless steel	13,5	M12	M30x1,5	45	49	67	7	5	2	84
27701-018161	stainless steel	17,5	M16	M30x1,5	45	49	67	7	5	2	84
27701-023161	stainless steel	17,5	M16	M40x1,5	58	63	86	9	6	2,5	148
27701-023201	stainless steel	22	M20	M40x1,5	58	63	86	9	6	2,5	148
27701-023241	stainless steel	26	M24	M40x1,5	58	63	86	9	6	2,5	148
27701-029201	stainless steel	22	M20	M50x1,5	70	77	106	11	6	2,5	225
27701-029241	stainless steel	26	M24	M50x1,5	70	77	106	11	6	2,5	225
27701-029301	stainless steel	33	M30	M50x1,5	70	77	106	11	6	2,5	225