

Levelling sets

high version



Material:

Steel 1.7225.

Stainless steel 1.4305.

Version:

Seel version trivalent blue passivated.

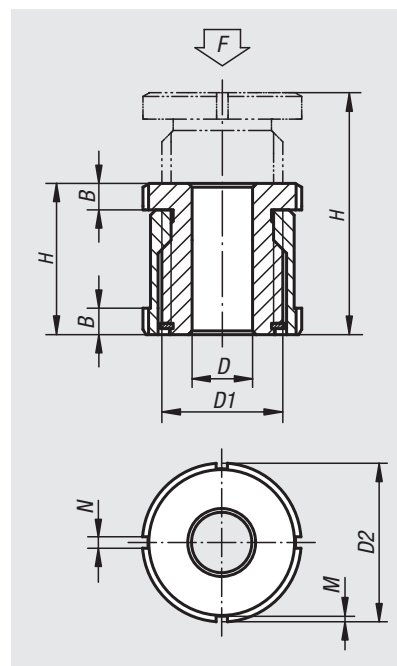
Stainless steel version bright.

Sample order:

nlm 27700-01505

Note:

Levelling sets are used for mounting, levelling and aligning motors, aggregates, drive units and assembly lines. They have a large adjustment range of 15 mm to 40 mm. Other sizes available on request.



Order No.	Main material	D	for screw	D1	D2	H min.	H max.	B	N	M	F kN
27700-01504	high carbon steel	4,5	M4	M15x1	25	28	43	5	4	2	40
27700-01505	high carbon steel	5,5	M5	M15x1	25	28	43	5	4	2	40
27700-01506	high carbon steel	6,6	M6	M15x1	25	28	43	5	4	2	40
27700-02006	high carbon steel	6,6	M6	M20x1	32	35	55	6	4	2	65
27700-02008	high carbon steel	9	M8	M20x1	32	35	55	6	4	2	65
27700-02010	high carbon steel	11	M10	M20x1	32	35	55	6	4	2	65
27700-02510	high carbon steel	11	M10	M30x1,5	45	42	67	7	5	2	120
27700-02512	high carbon steel	13,5	M12	M30x1,5	45	42	67	7	5	2	120
27700-02516	high carbon steel	17,5	M16	M30x1,5	45	42	67	7	5	2	120
27700-03216	high carbon steel	17,5	M16	M40x1,5	58	54	86	9	6	2,5	210
27700-03220	high carbon steel	22	M20	M40x1,5	58	54	86	9	6	2,5	210
27700-03224	high carbon steel	26	M24	M40x1,5	58	54	86	9	6	2,5	210
27700-04020	high carbon steel	22	M20	M50x1,5	70	66	106	11	6	2,5	330
27700-04024	high carbon steel	26	M24	M50x1,5	70	66	106	11	6	2,5	330
27700-04030	high carbon steel	33	M30	M50x1,5	70	66	106	11	6	2,5	330
27700-015041	stainless steel	4,5	M4	M15x1	25	28	43	5	4	2	27,1
27700-015051	stainless steel	5,5	M5	M15x1	25	28	43	5	4	2	27,1
27700-015061	stainless steel	6,6	M6	M15x1	25	28	43	5	4	2	27,1
27700-020061	stainless steel	6,6	M6	M20x1	32	35	55	6	4	2	43,4
27700-020081	stainless steel	9	M8	M20x1	32	35	55	6	4	2	43,4
27700-020101	stainless steel	11	M10	M20x1	32	35	55	6	4	2	43,4
27700-025101	stainless steel	11	M10	M30x1,5	45	42	67	7	5	2	84
27700-025121	stainless steel	13,5	M12	M30x1,5	45	42	67	7	5	2	84
27700-025161	stainless steel	17,5	M16	M30x1,5	45	42	67	7	5	2	84
27700-032161	stainless steel	17,5	M16	M40x1,5	58	54	86	9	6	2,5	148
27700-032201	stainless steel	22	M20	M40x1,5	58	54	86	9	6	2,5	148
27700-032241	stainless steel	26	M24	M40x1,5	58	54	86	9	6	2,5	148
27700-040201	stainless steel	22	M20	M50x1,5	70	66	106	11	6	2,5	225
27700-040241	stainless steel	26	M24	M50x1,5	70	66	106	11	6	2,5	225
27700-040301	stainless steel	33	M30	M50x1,5	70	66	106	11	6	2,5	225

