

## Axial joints

similar to DIN 71802



### Material:

Steel or 1.4305 stainless steel.

Stainless steel versions have Neoprene seals.

### Version:

Trivalent passivated.

Stainless steel version bright.

### Sample order:

nIm 27665-10

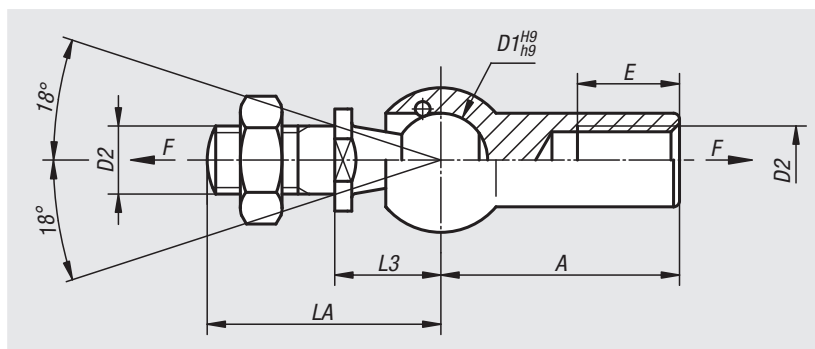
### Note:

Protected against dust, dirt, water spray and vapour.

Applicable temperature range from -30 °C to +110 °C.

### On request:

Axial joints with greater extraction force and left-hand thread available.



Order No.	Main material	D1	D2	A	LA	L3	E	Extraction force F N
27665-08	steel	8	M5	22	19,2	9	10,2	30
27665-10	steel	10	M6	25	23,5	11	11,5	40
27665-13	steel	13	M8	30	29,5	13	14	60
27665-16	steel	16	M10	35	36	16	15,5	80
27665-19	steel	19	M14x1,5	45	48	20	21,5	100
27665-108	stainless steel	8	M5	22	19,2	9	10,2	30
27665-110	stainless steel	10	M6	25	23,5	11	11,5	40
27665-113	stainless steel	13	M8	30	29,5	13	14	60
27665-116	stainless steel	16	M10	35	36	16	15,5	80