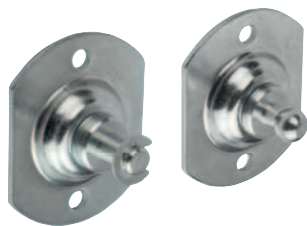


## Round brackets


**Material:**

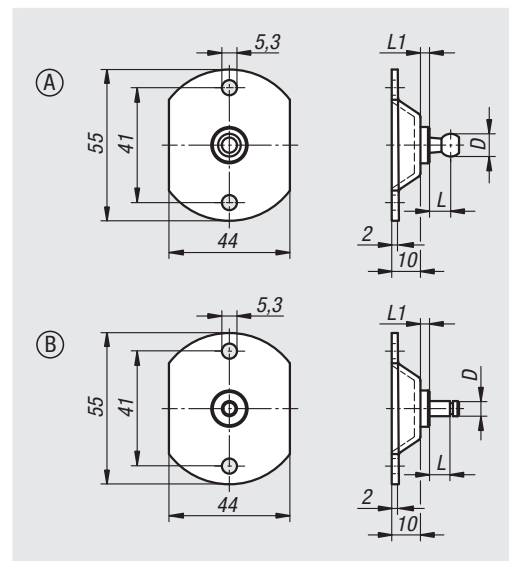
Steel or stainless steel 1.4404.

**Version:**

Steel electro zinc-plated.  
Stainless steel bright.

**Sample order:**

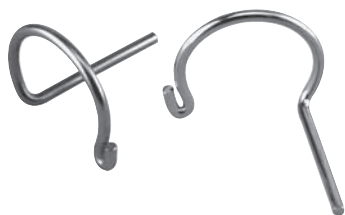
nIm 27659-00855



Order No. steel	Order No. stainless steel	Form	D	L	L1	Strength N
27659-00855	27659-008551	A	8	8	3	500
27659-01055	27659-010551	A	10	9	3	800
27659-01355	27659-013551	A	13	9,5	3	1200
27659-10655	27659-106551	B	6	7	4	500
27659-10855	27659-108551	B	8	11	5	1200

## Circlips for ball seats

DIN 71805


**Material:**

Spring steel

**Version:**

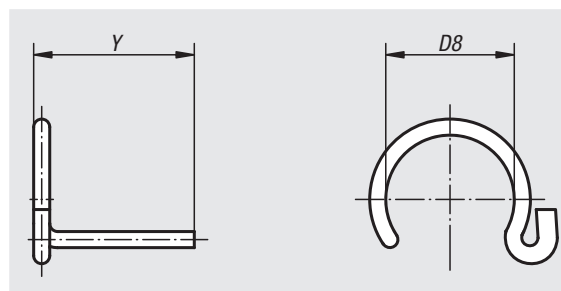
Trivalent passivated.

**Sample order:**

nIm 27660-08

**Note:**

For DIN 71805 ball seats.



Order No.	D8	Y	Suitable for ball sockets with D1
27660-08	7	12	8
27660-10	8,7	12,5	10
27660-13	11	15,7	13
27660-16	13	19	16
27660-19	20	24	19