

Ball seats for ball joints

DIN 71805



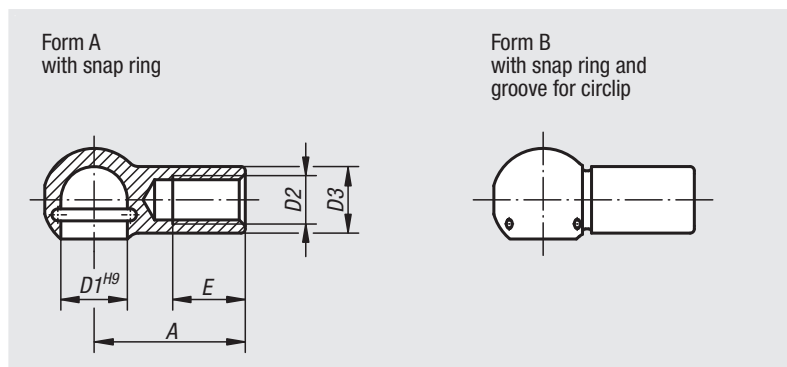
Material:
Steel.

Version:
Trivalent passivated.

Sample order:
nlm 27655-08051

Note:
The ball sockets are spare parts for DIN 71802 ball joints. See circlips for ball seats for suitable retaining rings for Form B.

On request:
Stainless steel ball seats.



Order No.	Form	D1	D2	D3	A	E
27655-0805	A	8	M5	8	22	10,2
27655-1006	A	10	M6	10	25	11,5
27655-1308	A	13	M8	13	30	14
27655-1610	A	16	M10	16	35	15,5
27655-1612	A	16	M12	16	35	15,5
27655-1914	A	19	M14x1,5	22	45	21,5
27655-1916	A	19	M16	22	45	21,5

Order No.	Form	D1	D2	D3	A	E
27655-080351	B	8	M3,5	8	18	8
27655-08051	B	8	M5	8	22	10,2
27655-10061	B	10	M6	10	25	11,5
27655-13081	B	13	M8	13	30	14
27655-16101	B	16	M10	16	35	15,5
27655-16121	B	16	M12	16	35	15,5
27655-19141	B	19	M14x1,5	22	45	21,5
27655-19161	B	19	M16	22	45	21,5