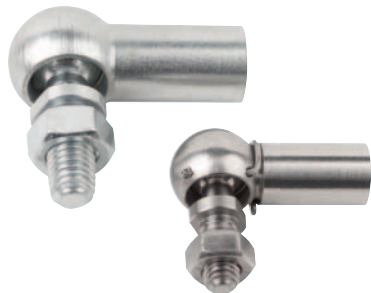


Ball joints

DIN 71802



Material:

Steel or 1.4305 stainless steel

Version:

Trivalent passivated.

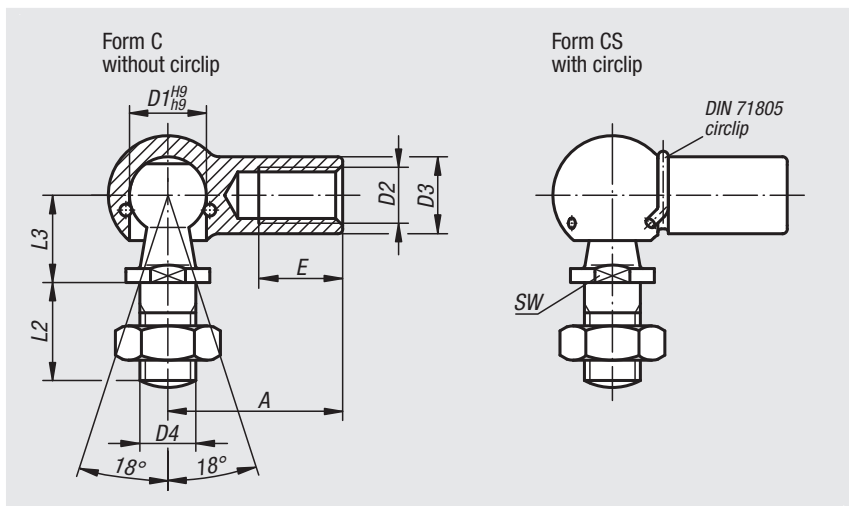
Stainless steel version bright.

Sample order:

nIm 27650-08051

Note:

LH thread refers to dimension D2.



Order No. RH thread	Order No. LH thread	Form	Main material	D1	D2	D3	D4	A	L2	L3	E	SW
27650-0805	27650-080501	C	steel	8	M5	8	M5	22	10,2	9	10,2	7
27650-1006	27650-100601	C	steel	10	M6	10	M6	25	12,5	11	11,5	8
27650-1308	27650-130801	C	steel	13	M8	13	M8	30	16,5	13	14	11
27650-1610	27650-161001	C	steel	16	M10	16	M10	35	20	16	15,5	13
27650-1612	27650-161201	C	steel	16	M12	16	M12	35	20	16	15,5	13
27650-1914	27650-191401	C	steel	19	M14x1,5	22	M14x1,5	45	28	20	21,5	16
27650-1916	27650-191601	C	steel	19	M16	22	M16	45	28	20	21,5	16

Order No. RH thread	Order No. LH thread	Form	Main material	D1	D2	D3	D4	A	L2	L3	E	SW
27650-080351	-	CS	steel	8	M3,5	8	M4	18	10,2	9	8	7
27650-08051	27650-080511	CS	steel	8	M5	8	M5	22	10,2	9	10,2	7
27650-10061	27650-100611	CS	steel	10	M6	10	M6	25	12,5	11	11,5	8
27650-13081	27650-130811	CS	steel	13	M8	13	M8	30	16,5	13	14	11
27650-16101	27650-161011	CS	steel	16	M10	16	M10	35	20	16	15,5	13
27650-16121	27650-161211	CS	steel	16	M12	16	M12	35	20	16	15,5	13
27650-19141	27650-191411	CS	steel	19	M14x1,5	22	M14x1,5	45	28	20	21,5	16
27650-19161	27650-191611	CS	steel	19	M16	22	M16	45	28	20	21,5	16
27650-08052	27650-080521	CS	stainless steel	8	M5	8	M5	22	10,2	9	10,2	7
27650-10062	27650-100621	CS	stainless steel	10	M6	10	M6	25	12,5	11	11,5	8
27650-13082	27650-130821	CS	stainless steel	13	M8	13	M8	30	16,5	13	14	11
27650-16102	27650-161021	CS	stainless steel	16	M10	16	M10	35	20	16	15,5	13
27650-16122	27650-161221	CS	stainless steel	16	M12	16	M12	35	20	16	15,5	13

2000
2100
2200
2300
2400
2600
2700
2800
2900
3100
3200
3300