

# Rod ends with plain bearing

external thread



### Material:

Housing size (D) 5-12 turned steel.

From size (D) 16 forged steel.

Ball joint ball bearing steel, hardened, ground and polished.

Bearing shell steel with PTFE weave glued in.

### Version:

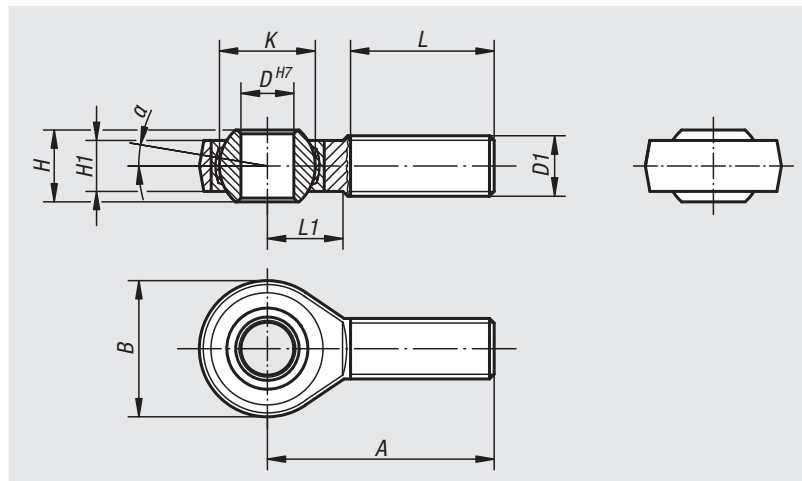
Electro zinc-plated.

### Sample order:

nln 27627-20

### Note:

The rod end bearing is maintenance-free. The connection dimensions comply with DIN 648 series KA.



Order No. RH thread	Order No. LH thread	D	D1	A	B	H	H1	K	L	L1	$\alpha$	Dynamic base loads kN	Static base loads kN
27627-05	27627-051	5	M5	33	18	8	6	11,11	20	9	13°	7,5	4,3
27627-06	27627-061	6	M6	36	20	9	6,75	12,7	22	12	13°	9,3	6
27627-08	27627-081	8	M8	42	24	12	9	15,87	25	15	13°	16,7	11
27627-10	27627-101	10	M10	48	28	14	10,5	19,05	29	15	13°	23,4	17,4
27627-12	27627-121	12	M12	54	32	16	12	22,22	33	19	13°	32	23,5
27627-16	27627-161	16	M16	66	42	21	15	28,57	40	22	15°	52,7	32
27627-20	27627-201	20	M20x1,5	78	50	25	18	34,92	47	28	15°	78,1	43,8
27627-22	27627-221	22	M22x1,5	84	54	28	20	38,1	51	26	15°	97,2	52,6

# Rod ends igubal® with plain bearing

external thread



## Material:

Housing igumid® G.  
Bearing seat iglidur® W300.

## Version:

black.

## Sample order:

nlm 27627-105

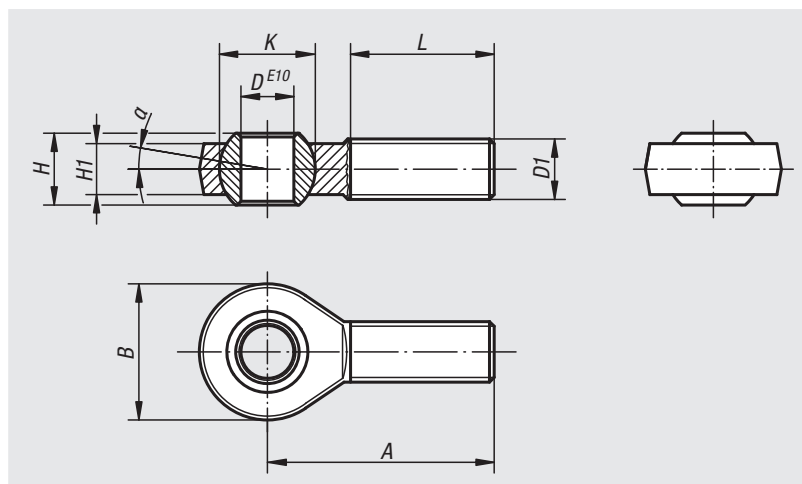
## Note:

The rod end has very high rigidity under alternating stresses, it is insensitive to dirt, dust and lint, and is both corrosion and chemical resistant. It is ideal for rotary, oscillating and linear movements.

The connection dimensions comply with DIN ISO 12240 series K.

## Tolerances:

The bore of the inner ring has an E10 tolerance. The shaft tolerance should be between h6 and h9.



Order No. RH thread	Order No. LH thread	D	D1	A	B	H	H1	K	L	$\alpha$	Max. static tensile stress N short-term	Max. static tensile stress N long-term	Max. transverse stress N short-term	Max. transverse stress N long-term
27627-105	27627-1051	5	M5	33	18	8	6	11,1	19	15°	800	400	80	40
27627-106	27627-1061	6	M6	36	20	9	7	12,7	21	14,5°	1000	500	100	50
27627-108	27627-1081	8	M8	42	24	12	9	15,8	25	12,5°	1700	850	200	100
27627-110	27627-1101	10	M10	48	30	14	10,5	19	28	12,5°	2500	1250	300	150
27627-110125	27627-1101251	10	M10x1,25	48	30	14	10,5	19	28	12,5°	2500	1250	300	150
27627-112	27627-1121	12	M12	54	34	16	12	22,2	32	12,5°	2700	1350	400	200
27627-112125	27627-1121251	12	M12x1,25	54	34	16	12	22,2	32	12,5°	2700	1350	400	200
27627-114	27627-1141	14	M14	61	38	19	13,5	25,25	36	12,5°	3400	1700	700	350
27627-116	27627-1161	16	M16	66	42	21	15	28,3	37	11,5°	3900	1950	800	400
27627-116150	27627-1161501	16	M16x1,5	66	42	21	15	28,3	37	11,5°	3900	1950	800	400
27627-118150	27627-1181501	18	M18x1,5	72	46	23	16,5	31,35	41	11,5°	4200	2100	1000	500
27627-120	27627-1201	20	M20	78	50	25	18	34,9	45	11,5°	6000	3000	1300	650
27627-120150	27627-1201501	20	M20x1,5	78	50	25	18	34,9	45	11,5°	6000	3000	1300	650