

Clevis joints

DIN 71752



Material:

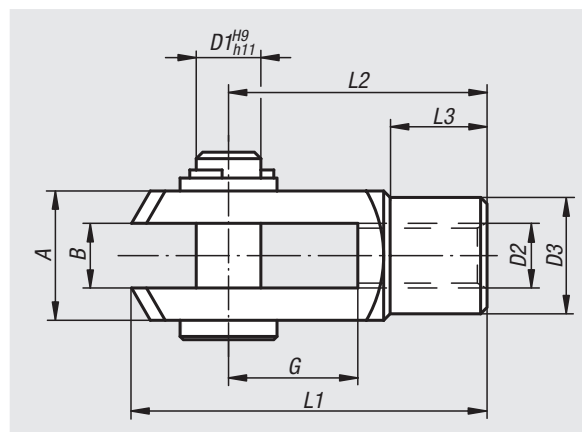
Steel.

Version:

Electro zinc-plated.

Sample order:

nln 27624-0510



Order No.	Version	B	G	D1	D2	D3	L1	L2	L3	A
27624-0510	RH thread	5	10	5	M5	9	26	20	7,5	10
27624-0612	RH thread	6	12	6	M6	10	31	24	9	12
27624-0816	RH thread	8	16	8	M8	14	42	32	12	16
27624-0832	RH thread	8	32	8	M8	14	58	48	12	16
27624-1020	RH thread	10	20	10	M10	18	52	40	15	20
27624-10120	RH thread	10	20	10	M10x1,25	18	52	40	15	20
27624-1040	RH thread	10	40	10	M10	18	72	60	15	20
27624-10140	RH thread	10	40	10	M10x1,25	18	72	60	15	20
27624-1224	RH thread	12	24	12	M12	20	62	48	18	24
27624-12124	RH thread	12	24	12	M12x1,25	20	62	48	18	24
27624-1248	RH thread	12	48	12	M12	20	86	72	18	24
27624-12148	RH thread	12	48	12	M12x1,25	20	86	72	18	24
27624-1428	RH thread	14	28	14	M14	24	72	56	22,5	27
27624-1632	RH thread	16	32	16	M16	26	83	64	24	32
27624-16132	RH thread	16	32	16	M16x1,5	26	83	64	24	32
27624-05101	LH thread	5	10	5	M5	9	26	20	7,5	10
27624-06121	LH thread	6	12	6	M6	10	31	24	9	12
27624-08161	LH thread	8	16	8	M8	14	42	32	12	16
27624-10201	LH thread	10	20	10	M10	18	52	40	15	20
27624-12241	LH thread	12	24	12	M12	20	62	48	18	24
27624-16321	LH thread	16	32	16	M16	26	83	64	24	32