

## Clevis tang, steel

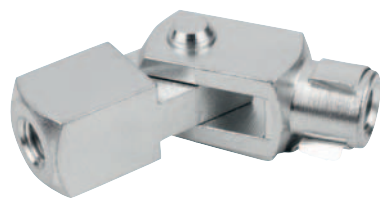
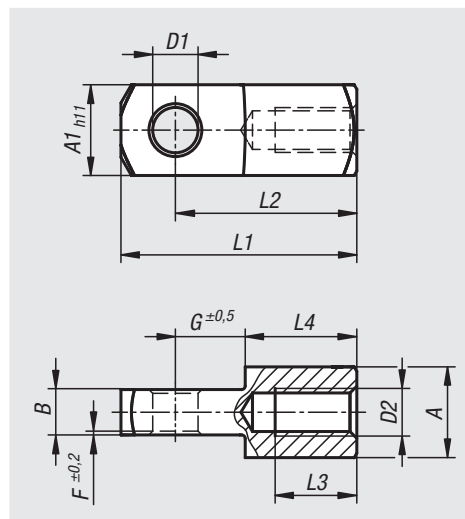


**Material:**  
Steel 1.0718.

**Version:**  
Electro zinc-plated.

**Sample order:**  
nlm 27624-10-0406

**Note:**  
The clevis tang can be combined with a DIN 71752 clevis.  
These items are mainly used when connections are required to compensate for a directional shift in one direction.



Order No.	A	A1	B	D1	D2	F	G	L1	L2	L3	L4
27624-10-0406	8	8	4	4	M4	0,5	6	21	16	6	10
27624-10-0507	10	10	5	5	M5	0,5	7,5	26	20	8	12,5
27624-10-0609	12	12	6	6	M6	0,5	9	31	24	11	15
27624-10-0812	16	16	8	8	M8	0,5	12	42	32	14	20
27624-10-1015	20	20	10	10	M10	0,5	15	52	40	18	25
27624-10-1218	24	24	12	12	M12	0,5	18	62	48	22	30
27624-10-1421	27	27	14	14	M14	1	21	72	56	25	35
27624-10-1624	32	32	16	16	M16	1	24	83	64	30	40