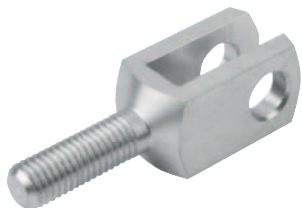


Clevis, steel or stainless steel

with male thread



Material:

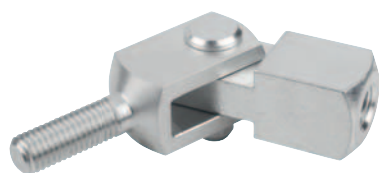
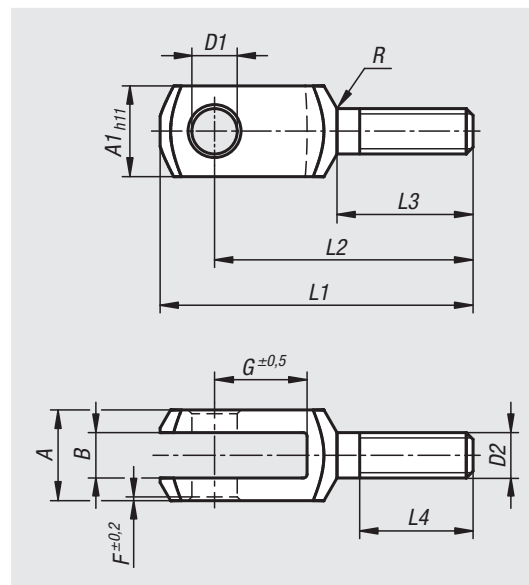
Steel 1.0718 or stainless steel 1.4305.

Version:

Steel electro zinc-plated.
Stainless steel bright.

Sample order:

nlm 27624-05-0612



Order No. steel	Order No. stainless steel	A	A1	B	D1	D2	F	G	L1	L2	L3	L4	R
27624-05-0612	27624-05-10612	12	12	6	6	M6	0,5	12	44	37	20	15	0,8
27624-05-0816	27624-05-10816	16	16	8	8	M8	0,5	16	57	47	25	20	0,8
27624-05-1020	27624-05-11020	20	20	10	10	M10	0,5	20	69	57	30	25	0,8
27624-05-1224	27624-05-11224	24	24	12	12	M12	0,5	24	82	68	35	30	0,8
27624-05-1428	27624-05-11428	27	27	14	14	M14	1	28	94	78	40	35	1,2
27624-05-1632	27624-05-11632	32	32	16	16	M16	1	32	108	89	45	40	1,2
27624-05-2040	27624-05-12040	40	40	20	20	M20	1	40	134	109	55	50	1,5