

Clevis joints stainless steel

DIN 71752

**Material:**

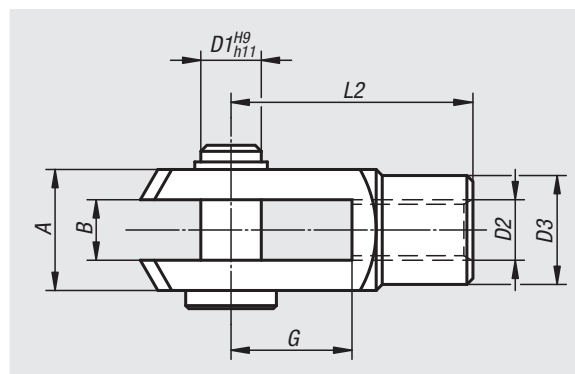
Stainless steel 1.4305.

Version:

Bright.

Sample order:

nlm 27622-0816



Order No.	Version	B	G	D1	D2	D3	L2	A
27622-0510	RH thread	5	10	5	M5	9	20	10
27622-0612	RH thread	6	12	6	M6	10	24	12
27622-0816	RH thread	8	16	8	M8	14	32	16
27622-0832	RH thread	8	32	8	M8	14	48	16
27622-1020	RH thread	10	20	10	M10	18	40	20
27622-10120	RH thread	10	20	10	M10x1,25	18	40	20
27622-1040	RH thread	10	40	10	M10	18	60	20
27622-1224	RH thread	12	24	12	M12	20	48	24
27622-12124	RH thread	12	24	12	M12x1,25	20	48	24
27622-1248	RH thread	12	48	12	M12	20	72	24
27622-12148	RH thread	12	48	12	M12x1,25	20	72	24
27622-1428	RH thread	14	28	14	M14	24	56	27
27622-1632	RH thread	16	32	16	M16	26	64	32
27622-16132	RH thread	16	32	16	M16x1,5	26	64	32
27622-05101	LH thread	5	10	5	M5	9	20	10
27622-06121	LH thread	6	12	6	M6	10	24	12
27622-08161	LH thread	8	16	8	M8	14	32	16
27622-10201	LH thread	10	20	10	M10	18	40	20
27622-12241	LH thread	12	24	12	M12	20	48	24
27622-16321	LH thread	16	32	16	M16	26	64	32