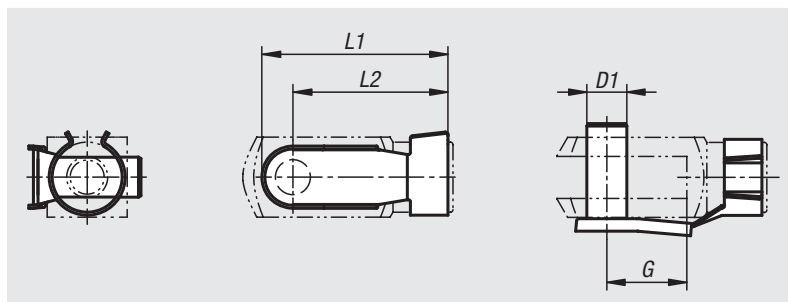


Snap-in pins

for DIN 71752 clevis joints


Material:

Pin, steel.

Spring, tempered leaf spring steel.

Version:

Electro zinc-plated.

Sample order:

nln 27621-0408

Note:

For DIN 71752 clevis.

| Order No. | D1 | G | L1 | L2 |
|------------|----|----|------|----|
| 27621-0408 | 4 | 8 | 18,5 | 15 |
| 27621-0510 | 5 | 10 | 23 | 19 |
| 27621-0612 | 6 | 12 | 28 | 23 |
| 27621-0816 | 8 | 16 | 37 | 30 |
| 27621-0832 | 8 | 32 | 52 | 46 |
| 27621-1020 | 10 | 20 | 46 | 38 |
| 27621-1040 | 10 | 40 | 66 | 58 |
| 27621-1224 | 12 | 24 | 53 | 45 |
| 27621-1248 | 12 | 48 | 78 | 69 |
| 27621-1428 | 14 | 28 | 62 | 52 |
| 27621-1632 | 16 | 32 | 73 | 62 |