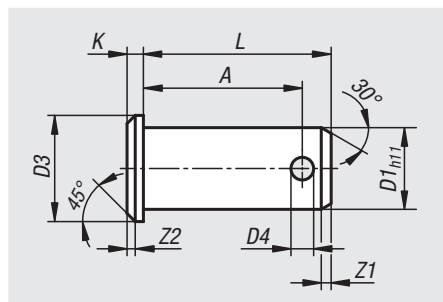


Pin with hole for split pin

suitable for clevis joints


Material:

Steel 1.0718 or stainless steel 1.4305.

Version:

Electro zinc-plated steel.
Bright stainless steel.

Sample order:

nIm 27621-03-004100

Note:

Pins with a hole, suitable for DIN 71752 clevis. Secured with a split pin.

When combined with a suitable clevis and tang, forms a fully functional clevis joint.

Order No. steel	Order No. stainless steel	D1	D3	D4	A	K	L	Z1	Z2
27621-03-004100	27621-03-104100	4	6	1	10	1	12	1	0,5
27621-03-005123	27621-03-105123	5	8	1,2	12,3	1,5	15	1	0,5
27621-03-006153	27621-03-106153	6	9	1,6	15,3	1,5	18	1,5	0,5
27621-03-008195	27621-03-108195	8	12	2	19,5	2	23	2	1
27621-03-010245	27621-03-110245	10	14	3,2	24,5	2	29	2	1
27621-03-012295	27621-03-112295	12	17	4	29,5	3	35	2,5	1,5
27621-03-014325	27621-03-114325	14	19	4	32,5	3	40	2,5	1,5
27621-03-016382	27621-03-116382	16	21	4	38,2	3	45	2,5	1,5
27621-03-020470	27621-03-120470	20	26	5	47	4	53	3	2
27621-03-025590	27621-03-125590	25	32	6,3	59	5	67	4	2
27621-03-028632	-	28	34	6,3	63,2	5	72	4	2
27621-03-030590	27621-03-130590	30	36	6,3	59	5	67	4	2
27621-03-030682	-	30	36	6,3	68,2	5	77	4	2
27621-03-035765	-	35	44	8	76,5	6	87	5	2
27621-03-040900	-	40	48	8	90	6	100	5	2
27621-03-042900	-	42	48	8	90	7	100	5	2
27621-03-0501030	-	50	58	10	103	7	115	6	2