

Pin with circlip groove

suitable for clevis joints


Material:

Steel 1.0718 or stainless steel 1.4305.

Version:

Electro zinc-plated steel.
Bright stainless steel.

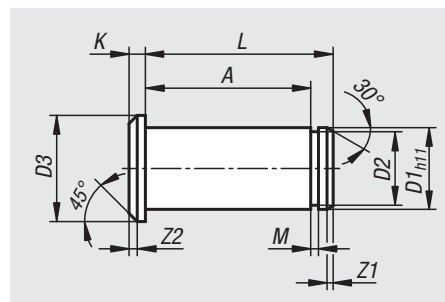
Sample order:

nIm 27621-01-004085

Note:

Pin with groove, suitable for DIN 71752 clevis. Secured with a DIN 6799 E-type circlip (alternatively a KL or SL clip).

When combined with a suitable clevis and tang, forms a fully functional clevis joint.



Order No. steel	Order No. stainless steel	D1	D2	D3	A	K	L	M	Z1	Z2
27621-01-004085	27621-01-104085	4	3,2	6	8,5	1	10,5	0,64	0,5	0,5
27621-01-005105	27621-01-105105	5	4	8	10,5	1,5	13	0,74	0,5	0,5
27621-01-006125	27621-01-106125	6	5	9	12,5	1,5	15,5	0,74	1	0,5
27621-01-008165	27621-01-108165	8	6	12	16,5	2	20	0,94	0,5	1
27621-01-010205	27621-01-110205	10	8	14	20,5	2	25	1,05	1	1
27621-01-012245	27621-01-112245	12	9	17	24,5	3	30	1,15	1	1,5
27621-01-014275	27621-01-114275	14	10	19	27,5	3	33	1,25	1,25	1,5
27621-01-016325	27621-01-116325	16	12	21	32,5	3	38,5	1,35	1,5	1,5
27621-01-020405	27621-01-120405	20	17,5	26	40,5	4	46	1,9	1,5	2
27621-01-025505	-	25	18	32	50,5	5	57	1,9	1,5	2