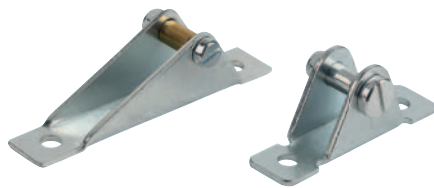


Hinge plates



Material:

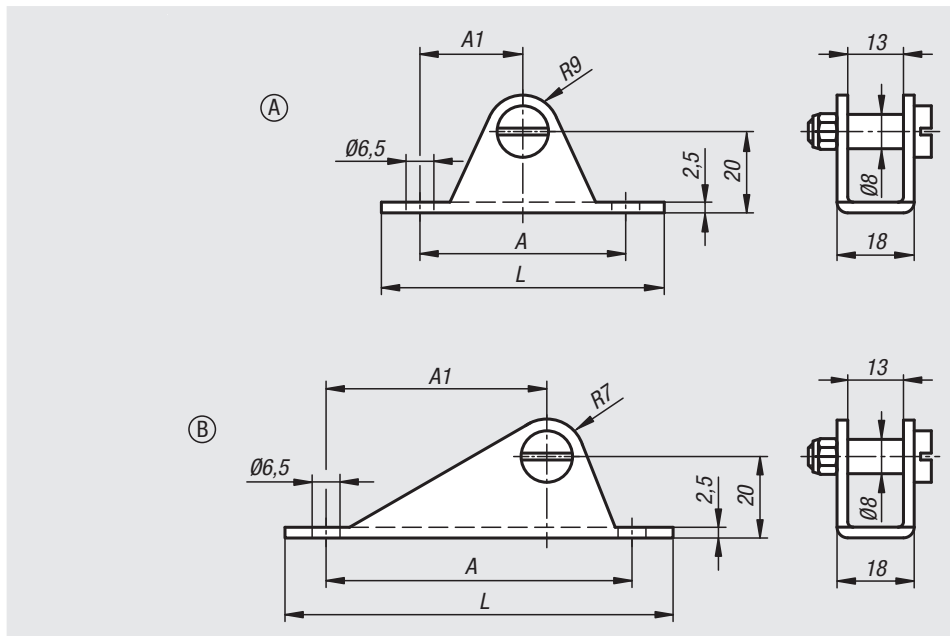
Steel or stainless steel 1.4404.

Version:

Steel electro zinc-plated.
Stainless steel bright.

Sample order:

nIm 27616-08070



| Order No. steel | Order No. stainless steel | Form | A | A1 | L | Strength N |
|-----------------|---------------------------|------|----|------|----|------------|
| 27616-08070 | 27616-080701 | A | 51 | 25,5 | 70 | 1800 |
| 27616-08095 | 27616-080951 | B | 75 | 54 | 96 | 1800 |

Rod-end eyes



Material:

Steel or 1.4305 stainless steel

Version:

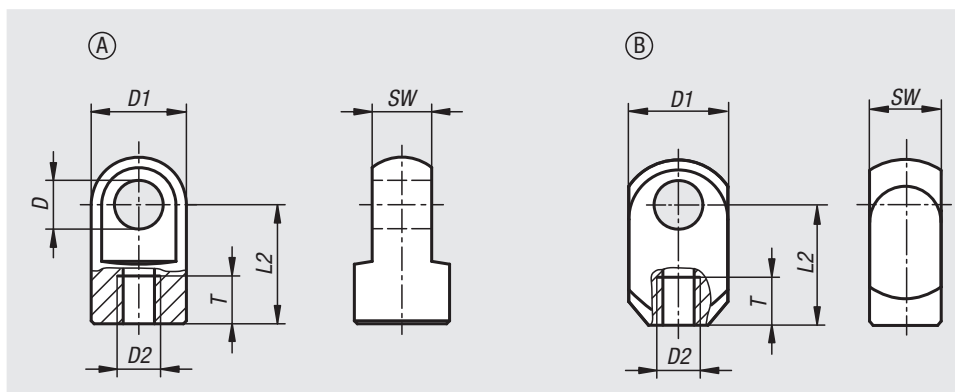
Steel electro zinc-plated.
Stainless steel bright.

Sample order:

nIm 27618-03504111

Note:

With internal thread.



| Order No. steel | Order No. stainless steel | Form | D | D1 | D2 | L2 | SW | T |
|-----------------|---------------------------|------|-----|----|------|----|----|----|
| 27618-03504111 | - | A | 4,1 | 8 | M3,5 | 11 | 4 | 6 |
| 27618-0506116 | 27618-05061161 | A | 6,1 | 10 | M5 | 16 | 6 | 8 |
| 27618-0508116 | - | B | 8,1 | 15 | M5 | 16 | 10 | 8 |
| 27618-0808119 | 27618-08081191 | A | 8,1 | 14 | M8 | 19 | 10 | 11 |
| 27618-1008127 | 27618-10081271 | A | 8,1 | 18 | M10 | 27 | 10 | 12 |