

## Clevis joints for rod ends


**Material:**

Clevis and pin, steel 1.7225

**Version:**

Electro zinc-plated.

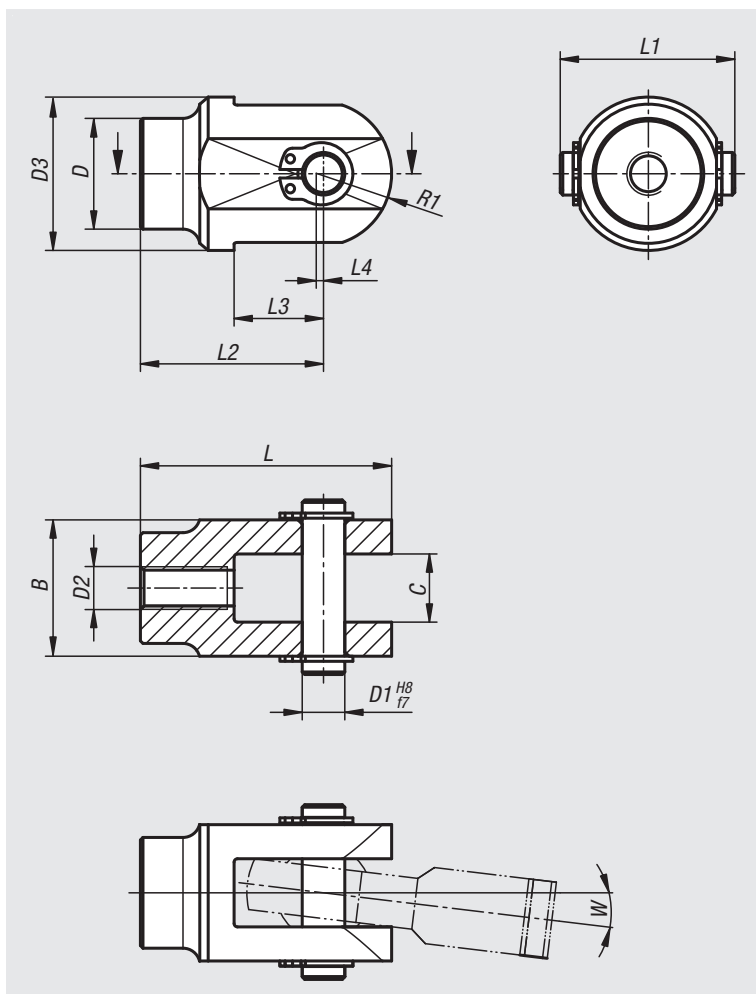
**Sample order:**

nln 27614-05080516

**Note:**

These clevises were developed as accessories for rod ends. The clevis opening size C was chosen to accept rod end joints.

Suitable for rod ends 27625, 27626, 27627 and 27628.



Order No.	B	C	D	D1	D2	D3	L	L1	L2	L3	L4	R1	W°	F static kN
27614-05080516	16	8	13	5	M5	18	29,5	20,5	21,5	10,5	0,5	8,5	6,5	8
27614-06090618	18	9	15	6	M6	20	33,5	22,9	25	11,5	0,5	9	7	9
27614-08120820	20	12	17	8	M8	24	41	24,9	31,5	13,5	1	10,5	8	14,5
27614-10141025	25	14	21	10	M10	28	49,5	30,3	38	16	1	12,5	8	19,5
27614-12161229	29	16	25	12	M12	32	57,5	34,3	44	18	1,5	15	8	23,5
27614-16211638	38	21	30	16	M16	42	76,5	43,3	58	23,5	1,5	20	9	32
27614-20252045	45	25	38	20	M20	50	90,5	51,9	68	29,5	-	22,5	9	43