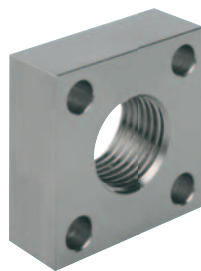


Mounting flange

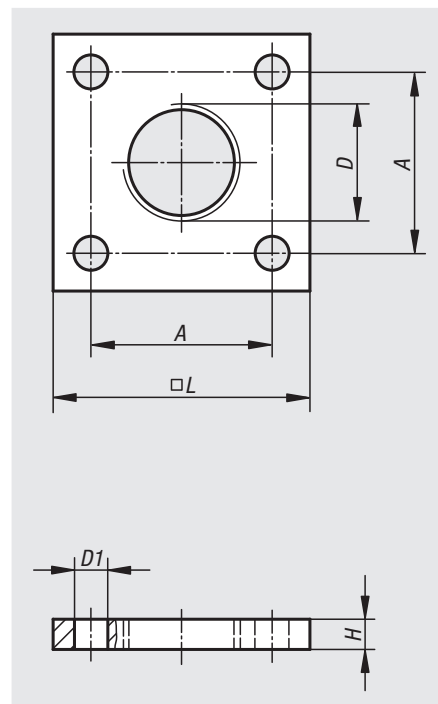


Material:
Steel.

Version:
nickel-plated.

Sample order:
nlm 26320-08075

Note:
When using the mounting flange use a locknut to secure the shock absorber. The compact form allows for space saving designs.



Order No.	A	D	D1	H	L
26320-08075	18	M8x0,75	3,2	4	25
26320-12100	18	M12x1	3,2	4	25
26320-14150	24	M14x1,5	4,5	4	34
26320-20150	28	M20x1,5	6,5	12	40
26320-25150	40	M25x1,5	9	12	54