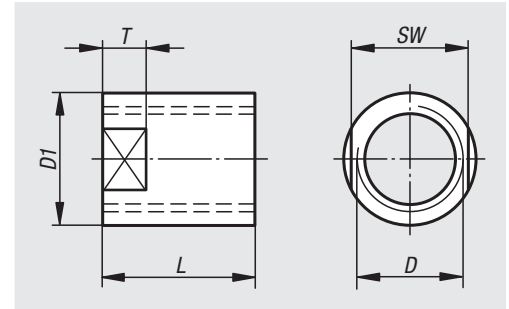


# Stop nuts

stainless steel



**Material:**

Stainless steel 1.4404.

**Version:**

Bright.

**Sample order:**

nIm 26320-20-08100

**Note:**

All shock absorbers have an integrated fixed stop.  
As an option, the stop nut can be screwed onto the external thread of the shock absorber in order to adjust the end stop precisely and individually.

Order No.	D	D1	L	SW	T
26320-20-08100	M8x1	11	12	-	-
26320-20-10100	M10x1	14	15	-	-
26320-20-12100	M12x1	16	20	-	-
26320-20-14100	M14x1	18	20	15	6
26320-20-20100	M20x1	25	35	22	8