

## Mounting brackets

stainless steel



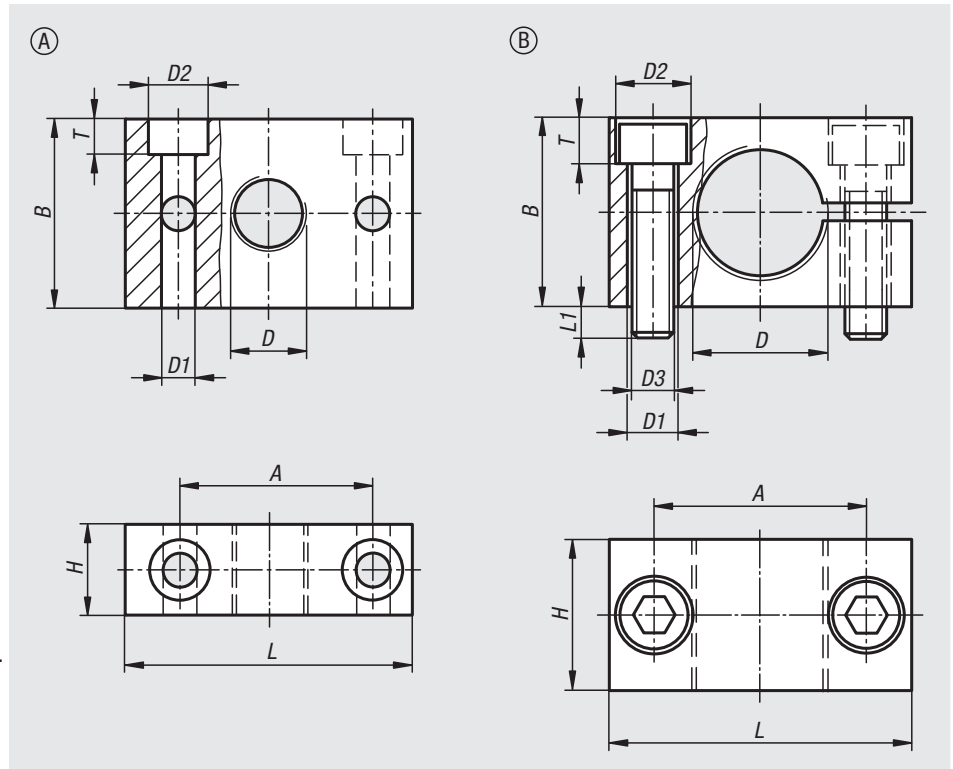
**Material:**  
Stainless steel 1.4404.

**Version:**  
Bright.

**Sample order:**  
nlm 26320-10-10100

**Note:**  
The compact form enables space saving designs.

Form A:  
A locknut must be used to secure the shock absorber.  
Form B:  
No locknut required. The shock absorber is clamped into the split bracket using the screws provided.



Order No.	Form	A	B	D	D1	D2	D3	H	L	L1	T
26320-10-10100	A	25,4	25	M10x1	4,5	8	-	12	38	-	4,5
26320-10-12100	A	25,4	25	M12x1	4,5	8	-	12	38	-	4,5
26320-10-14100	B	20	20	M14x1	5,5	9	M5	12	32	5	5,5
26320-10-20100	B	28	25	M20x1	6,5	11	M6	20	40	6	6,5