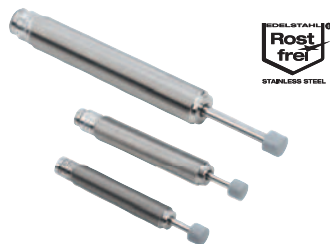


# Industrial shock absorbers

adjustable, stainless steel



## Material:

Housing stainless steel 1.4404.  
Piston rod stainless steel 1.4125.  
Collision head plastic.

## Version:

Bright.

## Sample order:

nIm 26301-0810007

## Note:

Industrial shock absorbers are maintenance-free, ready to install hydraulic components. They have an integrated fixed stop. The adjustable version enables precise adjustment to the desired dampening level. After installation, operate and adjust the shock absorber a few times until the desired braking level is achieved.

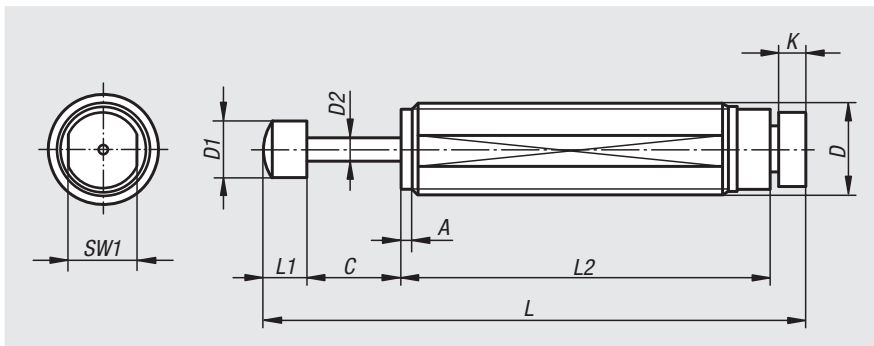
Exceeding the max. energy intake per hour is possible if temporarily disconnected or the shock absorber is cooled with cylinder exhaust air. The installation position is arbitrary.

## Temperature range:

-20 °C to +80 °C.

## On request:

Filled with foodstuff compatible oil acc. to USDA-H1.



Order No.	A	C (travel)	D	D1	D2	K	L	L1	L2	SW1
26301-0810007	2,5	7	M8x1	6	2,5	3,5	61,5	5,5	45	-
26301-1010010	2,5	10	M10x1	6	3	3,5	68,5	6,5	48,5	-
26301-1210012	2,5	12	M12x1	10	4	3,5	89,5	8	66	-
26301-1410014	2,5	14	M14x1	10	4	4,5	105	8	78	13
26301-2010040	2,5	40	M20x1	12	6	6	181	10	125	18

Order No.	max. energy input per stroke Nm	max. energy input per hour Nm	effective mass max. kg	speed range m/s	return force N
26301-0810007	4	14400	50	V=0,2 - 3,5	6
26301-1010010	15	24000	500	V=0,2 - 3,5	8
26301-1210012	22	35200	800	V=0,2 - 3,5	7
26301-1410014	30	50000	1500	V=0,08 - 6	23
26301-2010040	125	95625	6300	V=0,08 - 6	23