

Industrial shock absorbers

adjustable



Material:

Housing, steel.
M8x0.75 housing in stainless steel.
Steel piston rod.
Steel nut.
Collision head in steel, plastic.

Version:

Housing nickel plated.
Housing M8x0.75, bright.
Housing M8x1 black oxidised.
Piston rod hard chromed.
Nut nickel plated.

Sample order:

nIm 26300-0807506

Note:

Industrial shock absorbers are maintenance-free, ready to install hydraulic components. They have an integrated fixed stop. The damping strength can be precisely set with the adjustable version. After installation, the equipment is run a few times and the adjustment screw rotated until the optimal braking is achieved.

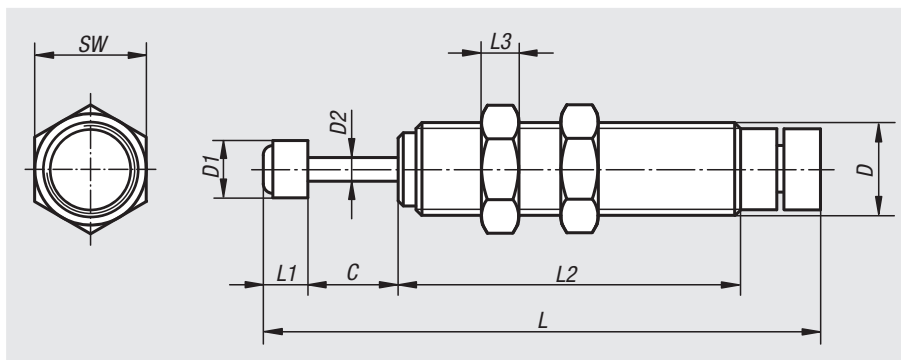
Exceeding the max. energy input per hour is possible if a pause is made every now and then or the shock absorber is air cooled. The end position is optional.

Temperature range:

-5 °C to +70 °C.

Attention:

Industrial shock absorber, adjustable, M8x1 (26300-0810008) supplied with one nut only.



| Order No. | D | D1 | D2 | C (travel) | L | L1 | L2 | L3 | SW |
|---------------|---------|-----|-----|---------------|------|-----|------|----|----|
| 26300-0807506 | M8x0,75 | 6 | 2,5 | 6 | 58 | 5 | 41 | 2 | 11 |
| 26300-0810008 | M8x1 | 6,4 | 2,5 | 8 | 61,1 | 5,1 | 43,9 | 3 | 10 |
| 26300-1010008 | M10x1 | 6 | 2,4 | 8 | 65 | 6 | 41 | 3 | 13 |
| 26300-1210010 | M12x1 | 8 | 3,5 | 10 | 84 | 8 | 61 | 4 | 14 |
| 26300-1415010 | M14x1,5 | 10 | 3,5 | 10 | 88 | 8 | 59 | 6 | 17 |
| 26300-2015016 | M20x1,5 | 18 | 6 | 16 | 127 | 17 | 76 | 8 | 24 |
| 26300-2515030 | M25x1,5 | 22 | 8 | 30 | 173 | 18 | 111 | 10 | 32 |

| Order No. | max. energy input per stroke Nm | max. energy input per hour Nm | effective mass max. kg | speed range m/s | return force N | axis deviation max. (°) |
|---------------|---------------------------------------|-------------------------------------|---------------------------|-----------------------|----------------------|-------------------------------|
| 26300-0807506 | 1,4 | 2202 | 15 | 0,3 - 2 | 9 | 2,5 |
| 26300-0810008 | 3,5 | 5650 | 15 | 0,3 - 2 | 5,3 | 2 |
| 26300-1010008 | 1,76 | 3528 | 10 | 0,3 - 2 | 5,88 | 2,5 |
| 26300-1210010 | 4,9 | 5880 | 30 | 0,3 - 2 | 9,8 | 2,5 |
| 26300-1415010 | 5,88 | 8820 | 35 | 0,3 - 2 | 9,8 | 2,5 |
| 26300-2015016 | - | 20580 | 200 | 0,3 - 2 | 18,1 | 2,5 |
| 26300-2515030 | 49 | 29400 | 300 | 0,3 - 2 | 33,2 | 2,5 |