

Profile damper

radial damping, hard version


Material:

Co-polyester elastomer.

Version:

Material hardness Shore 55D.

Sample order:

nIm 26186-03015

Note:

Suitable for emergency stop and continual use.

Energy reduction: 39% to 62%.

Dynamic force absorption: 550 N to 7440 N

Impact velocity: max. 5 m/s.

The profile dampers are maintenance-free and are supplied ready to install with a special fastening screw.

Environment: Resistant to microbes, sea water, chemicals and with very good UV and ozone resistance. No water absorption or maceration.

Application:

Linear slides and linear guides, pneumatic cylinders, furniture industry, machines and plants.

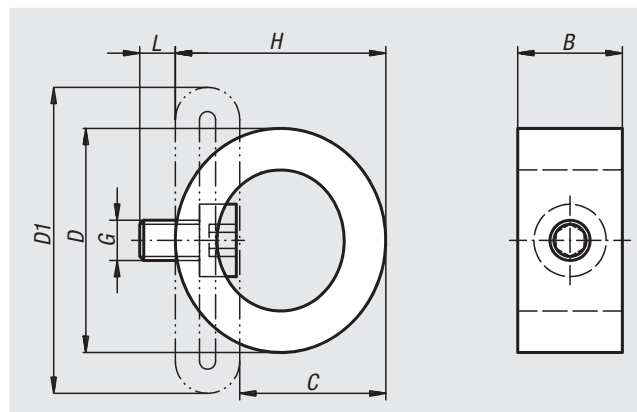
Temperature range:

-40 °C to +90 °C

Assembly:

Mounting position: any.

Secure fastening screws with Loctite thread lock.



Order No.	B	C (travel)	D	D1	G	H	L	max. energy absorption Nm per stroke by permanent load	max. energy absorption Nm per stroke by emergency stop	Tightening torque of screws Nm
26186-03015	13	15	30	38	M5	23	5	2,7	5,7	3
26186-03919	19	19	39	50	M5	30	5	6	18	3
26186-04523	20	23	45	58	M5	36	5	8,7	24	3
26186-05232	34	32	52	68	M5	42	5	11,7	20	3
26186-06441	43	41	64	87	M5	53	5	25	46	3
26186-06837	46	37	68	88	M5	56	5	66,5	98	3
26186-07942	46	42	79	102	M6	64	6	81,5	106	6
26186-08645	51	45	86	109	M6	69	6	124	206	6