

Profile damper

radial damping



Material:

Co-polyester elastomer.

Version:

Material hardness Shore 40D.

Sample order:

nIm 26184-02917

Note:

Suitable for emergency stop and continual use.

Energy reduction: 25% to 45%.

Dynamic force absorption: 218 N to 3730 N

Impact velocity: max. 5 m/s.

The profile dampers are maintenance-free and are supplied ready to install with a special fastening screw.

Environment: Resistant to microbes, sea water, chemicals and with very good UV and ozone resistance. No water absorption or maceration.

Application:

Linear slides and linear guides, pneumatic cylinders, furniture industry, machines and plants.

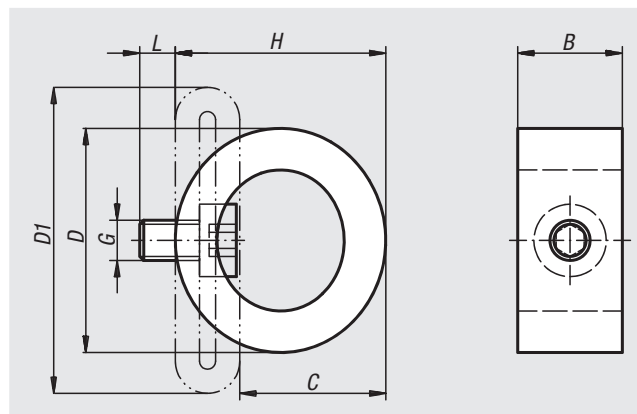
Temperature range:

-40 °C to +90 °C

Assembly:

Mounting position: any.

Secure fastening screws with Loctite thread lock.



Order No.	B	C (travel)	D	D1	G	H	L	max. energy absorption Nm per stroke by permanent load	max. energy absorption Nm per stroke by emergency stop	Tightening torque of screws Nm
26184-02917	13	17	29	38	M5	25	5	1,2	1,8	3
26184-03722	19	22	37	50	M5	32	5	2,3	5,4	3
26184-04325	20	25	43	58	M5	37	5	3,5	8,1	3
26184-05035	34	35	50	68	M5	44	5	5,8	8,3	3
26184-06343	43	43	63	87	M5	55	5	12	17	3
26184-06740	46	40	67	88	M5	59	5	23	33	3
26184-07646	46	46	76	102	M6	67	6	34,5	43	6
26184-08350	51	50	83	109	M6	73	6	45	74	6
26184-08550	68	50	85	111	M8	73	8	68	92	20