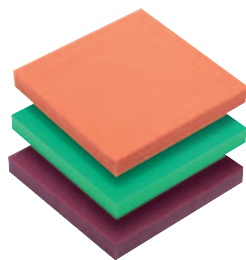


# Damping plates


**Material:**

Polyether-urethane.

**Version:**

Cellular polyether-urethane.

**Sample order:**

nIm 26150-100250165

**Note:**

The damping plates are made of cellular polyether-urethane and can effectively absorb shock loads and continuous loads.

The damping plates can be machined afterwards to adjust their dimensions.

A number of damping plates can be placed side by side to increase the damping surface area.

Red = soft.

Green = medium.

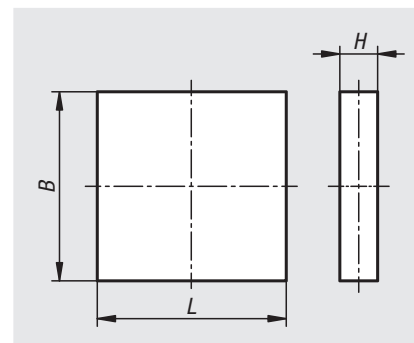
Bordeaux = hard.

**Temperature range:**

-30 °C to +70 °C

**On request:**

Other thicknesses.



Order No.	Main colour	B	H	L	Density (kg/m <sup>3</sup> )	Permanent static load (N/mm <sup>2</sup> )	Dynamic load range (N/mm <sup>2</sup> )
26150-100125165	red	100	12,5	100	165	0,010	0,016
26150-100250165	red	100	25	100	165	0,010	0,016
26150-100125460	green	100	12,5	100	460	0,170	0,260
26150-100250460	green	100	25	100	460	0,170	0,260
26150-1001251000	bordeaux	100	12,5	100	1000	1,900	2,800
26150-1002501000	bordeaux	100	25	100	1000	1,900	2,800
26150-200125165	red	200	12,5	200	165	0,010	0,016
26150-200250165	red	200	25	200	165	0,010	0,016
26150-200125460	green	200	12,5	200	460	0,170	0,260
26150-200250460	green	200	25	200	460	0,170	0,260
26150-2001251000	bordeaux	200	12,5	200	1000	1,900	2,800
26150-2002501000	bordeaux	200	25	200	1000	1,900	2,800