

O-shaped mounts


Material:

Metal parts, steel, grade 5.6.
Elastomer natural rubber, medium hardness, Shore 57A.

Version:

Steel electro zinc-plated.

Sample order:

nIm 26130-01201257

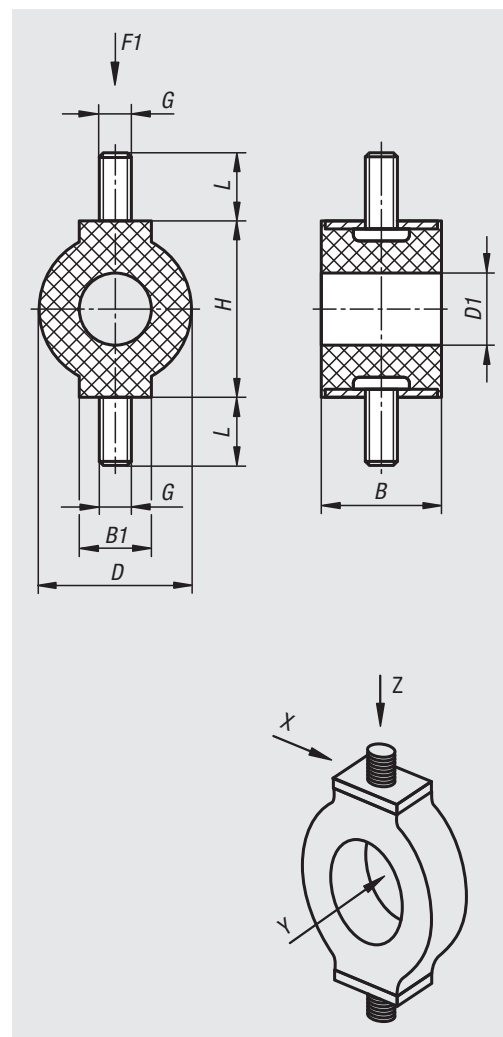
Note:

O-shaped mounts have a very soft spring characteristic, which is why they are also called low-frequency supports. They serve for low-vibration support of instruments, and electrical components, as well as for mounting light assemblies and precision mechanical equipment.

The spring characteristic of the O-shaped mounts increases in the order X, Y and Z. The main load direction is the longitudinal axis of the threaded bolts (Z direction).

Temperature range:

-30 °C to +80 °C



Order No.	B	B1	D	D1	G	H	L	F1 N
26130-01201257	9,5	9,5	10	6	M4	12,5	10	8
26130-01401757	13	6	14	6	M4	17	10	18
26130-02503057	20	12	25	12	M5	30	10	55