

## Item description/product images



## Description

**Material:**

Metal parts, steel grade 5.6.  
Elastomer natural rubber, Shore hardness 55A or 70A.

**Version:**

Steel electro zinc-plated.

**Note:**

Rubber buffers are robust and effective elastic cushioning elements and shock absorbers. These rubber buffers are ideal for elastic travel limitation and cushioning knocks by mobile and immobile aggregates and machines and for general use as stops.

Due to the material composition, rubber buffers are contact-colouring, which can lead to abrasion marks and discolouration on e.g. floors or contact surfaces. Rubber buffers made of light grey EPDM that are not contact-colouring are available on request.

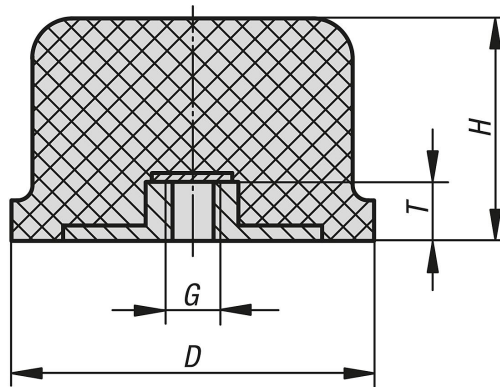
**Temperature range:**

-20°C to +75°C.

**On request:**

Other Shore grades.

## Drawings



## Overview of items

## Rubber buffers, spherical

Order No.	D	H	G	T	Spring stiffness N/mm	Load N	Shore grade
26115-05003555	50	35	M10	10	15	2200	55A
26115-08006055	80	60	M12	12	30	11000	55A
26115-12509055	125	93	M16	16	40	20000	55A
26115-05003570	50	35	M10	10	1100	8000	70A
26115-08006070	80	60	M12	12	1700	24000	70A
26115-12509070	125	90	M16	16	2800	62000	70A

