

Rubber buffers

parabolic



Material:

Metal parts steel, grade 5.6.

Elastomer natural rubber, medium hardness, Shore 55A.

Version:

Steel electro zinc-plated.

Sample order:

nIm 26110-02002455

Note:

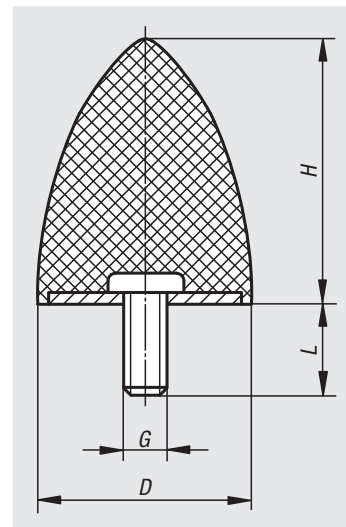
Rubber buffers are robust and effective elastic cushioning elements and shock absorbers. These buffers are ideal for elastic travel limitation and cushioning knocks by mobile and immobile aggregates and machines and as use as door stops.

Temperature range:

-30 °C to +80 °C

On request:

Other Shore grades.



Order No.	D	H	G	L	Spring stiffness N/mm	Load N
26110-02002455	20	24	M6	18	14	500
26110-03003655	30	36	M8	20	15	750
26110-03504055	35	40	M8	23	16	1750
26110-05005855	50	58	M10	28	30	3000
26110-05006755	50	67	M8	38	30	3200
26110-07508955	75	89	M12	37	50	8000