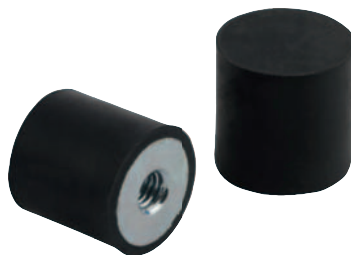


Rubber buffers

type E



Material:

Metal parts steel, grade 5.6.

Elastomer natural rubber, medium hardness, Shore 55A.

Version:

Steel electro zinc-plated.

Sample order:

nIm 26103-00800855

Note:

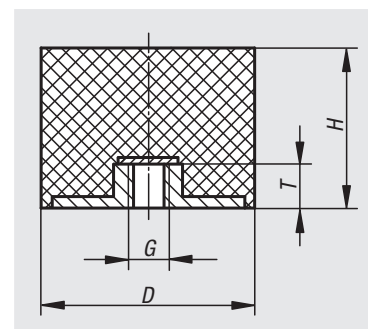
Rubber buffers are widely-used construction elements for elastic mounting. They are used, among other things, as mountings for aggregates, motors, compressors, pumps and testing machinery.

Temperature range:

-30 °C to +80 °C

On request:

Other Shore grades.



Order No.	D	H	G	T	Spring stiffness N/mm	Load N
26103-00800855	8	8	M3	3	88	44
26103-01501255	15	12	M4	4	165	182
26103-01501555	15	15	M4	4	100	130
26103-01502055	15	20	M4	4	75	113
26103-02001555	20	15	M6	6	145	246
26103-02002055	20	20	M6	6	94	216
26103-02002555	20	25	M6	6	65	169
26103-02501555	25	15	M6	6	270	540
26103-02502555	25	25	M6	6	105	315
26103-02503055	25	30	M6	6	85	281
26103-02504055	25	40	M6	6	75	300
26103-03001555	30	15	M8	8	545	491
26103-03002555	30	25	M8	8	160	416
26103-03003055	30	30	M8	8	125	425
26103-03004055	30	40	M8	8	85	315
26103-04002055	40	20	M8	8	550	660
26103-04002555	40	25	M8	8	500	1000
26103-04003055	40	30	M8	8	300	870
26103-04004055	40	40	M8	8	260	1040
26103-05002055	50	20	M10	10	860	860
26103-05002555	50	25	M10	10	700	1400
26103-05003055	50	30	M10	10	450	1575
26103-05004055	50	40	M10	10	350	1400
26103-05005055	50	50	M10	10	170	850
26103-06003055	60	30	M10	10	700	1400
26103-06004055	60	40	M10	10	400	1600
26103-06005055	60	50	M10	10	240	1200
26103-07004255	70	42	M10	10	520	2600
26103-07004555	70	45	M10	10	680	3060
26103-07502555	75	25	M12	12	1211	1816
26103-07503055	75	30	M12	12	1090	2289
26103-07504055	75	40	M12	12	500	2000
26103-07505055	75	50	M12	12	550	2750