

Item description/product images



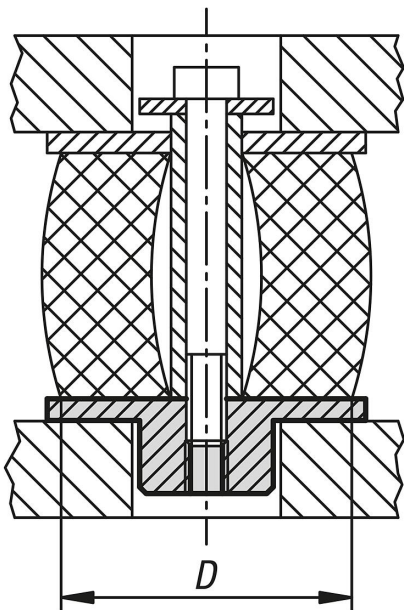
Description

Material:

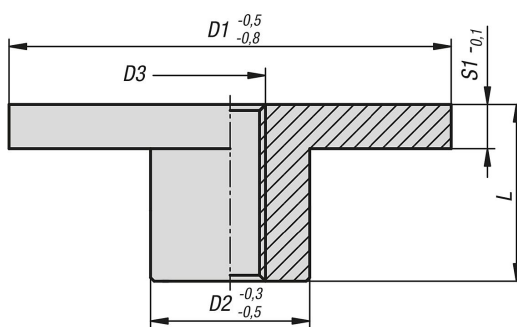
Steel 1.0503.

Version:Black oxidised, hardened \approx 52 HRC.**Note:**

Threaded discs for easy tensioning of elastomer buffers.



Drawings



Overview of items

Order No.	D	D1	D2	D3	L	S1
26095-18-25	25	25	13	M6	12	3
26095-18-32	32	32	16	M8	14	3
26095-18-40	40	40	20	M10	17	3
26095-18-50	50	50	25	M10	18	4

