

Pillow block bearing flange type

2-hole



Material:

Housing plastic.
 Ball bearing stainless steel 1.4112.
 Plain bearing insert POM.
 Bushes and grease nipple stainless steel 1.4301.

Version:

Plain bearing insert white.
 Housing green.
 Stainless steel parts bright.

Sample order:

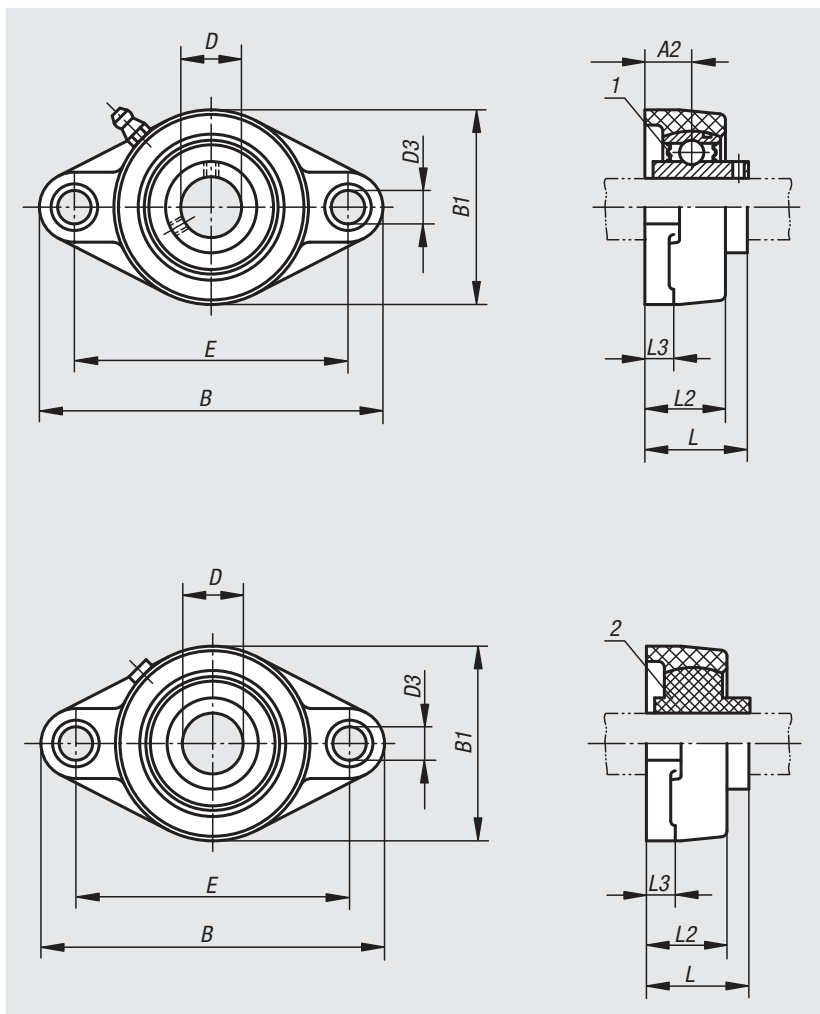
nIm 24266-01-12201

Note:

The housings are very robust, hard wearing and shock proof. They are resistant to most alkaline solutions, weak acids (PH 4-9) and brines. In contrast to cast or steel housings the special plastic in these housings prevent the formation of micro-organisms.

Drawing reference:

- 1) ball bearing
- 2) plain bearing



With ball bearing

Order No.	Housing	D	B	E	B1	D3	L	L2	L3	A2
24266-01-12201	201	12	114	90	65	11	33,7	26,5	11,4	15,4
24266-01-15202	202	15	114	90	65	11	33,7	26,5	11,4	15,4
24266-01-20204	204	20	114	90	65	11	33,7	26,5	11,4	15,4
24266-01-25205	205	25	131	99	69,5	11	36,7	29,1	13,5	17
24266-01-30206	206	30	148	117	80	11	41,2	30,5	13,3	19
24266-01-35207	207	35	164	130	90	13	43,4	32,8	16,1	18
24266-01-40208	208	40	176	144	100	14	51,7	37,5	20	21,5

With POM plain bearing

Order No.	Housing	D	B	E	B1	D3	L	L2	L3
24266-01-112201	201	12	114	90	65	11	33,7	26,5	11,4
24266-01-115202	202	15	114	90	65	11	33,7	26,5	11,4
24266-01-120204	204	20	114	90	65	11	33,7	26,5	11,4
24266-01-125205	205	25	131	99	69,5	11	36,7	29,1	13,5
24266-01-130206	206	30	148	117	80	11	41,2	30,5	13,3
24266-01-135207	207	35	164	130	90	13	43,4	32,8	16,1
24266-01-140208	208	40	176	144	100	14	51,7	37,5	20

20000 21000 22000 23000 24000 26000 27000 28000 29000 31000 32000 33000