

## Pillow block bearing flange type



**Material:**

Housing plastic.  
 Ball bearing stainless steel 1.4112.  
 Plain bearing insert POM.  
 Bushes and grease nipple stainless steel 1.4301.

**Version:**

Plain bearing insert white.  
 Housing green.  
 Stainless steel parts bright.

**Sample order:**

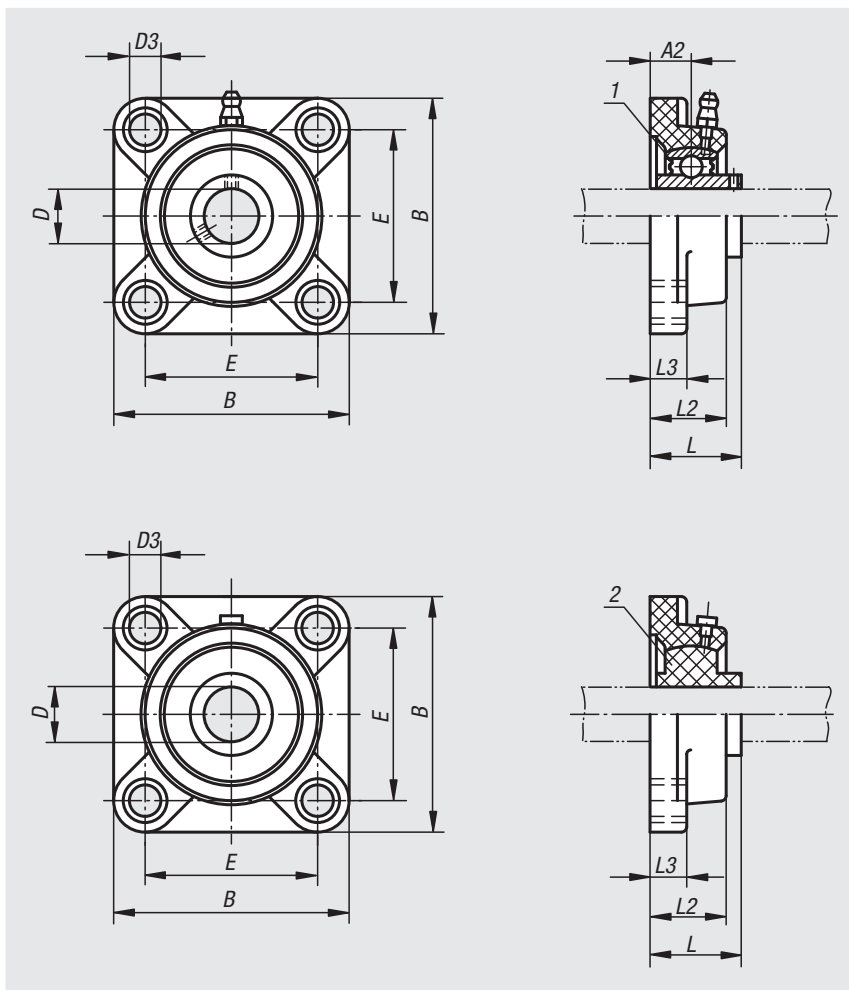
nlm 24264-01-12201

**Note:**

The housings are very robust, hard wearing and shock proof. They are resistant to most alkaline solutions, weak acids (PH 4-9) and brines. In contrast to cast or steel housings the special plastic in these housings prevent the formation of micro-organisms.

**Drawing reference:**

- 1) ball bearing
- 2) plain bearing



**With ball bearing**

Order No.	Housing	D	B	E	D3	L	L2	L3	A2
24264-01-12201	201	12	87	63,5	11	36,3	27,8	13,4	17,8
24264-01-15202	202	15	87	63,5	11	36,3	27,8	13,4	17,8
24264-01-20204	204	20	87	63,5	11	36,3	27,8	13,4	17,8
24264-01-25205	205	25	95	70	11	36,7	28	14,3	17
24264-01-30206	206	30	107	83	11	41,4	31,5	14,3	19,2
24264-01-35207	207	35	118	92	13	46,9	34,8	15,5	21,5
24264-01-40208	208	40	130	102	14	53,2	37,5	17	23

**With POM plain bearing**

Order No.	Housing	D	B	E	D3	L	L2	L3
24264-01-112201	201	12	87	63,5	11	36,3	27,8	13,4
24264-01-115202	202	15	87	63,5	11	36,3	27,8	13,4
24264-01-120204	204	20	87	63,5	11	36,3	27,8	13,4
24264-01-125205	205	25	95	70	11	36,7	28	14,3
24264-01-130206	206	30	107	83	11	41,4	31,5	14,3
24264-01-135207	207	35	118	92	13	46,9	34,8	15,5
24264-01-140208	208	40	130	102	14	53,2	37,5	17