

# Pillow block bearing pedestal type



**Material:**

- Housing plastic.
- Ball bearing stainless steel 1.4112.
- Plain bearing insert POM.
- Bushes and grease nipple stainless steel 1.4301.

**Version:**

- Plain bearing insert white.
- Housing green.
- Stainless steel parts bright.

**Sample order:**

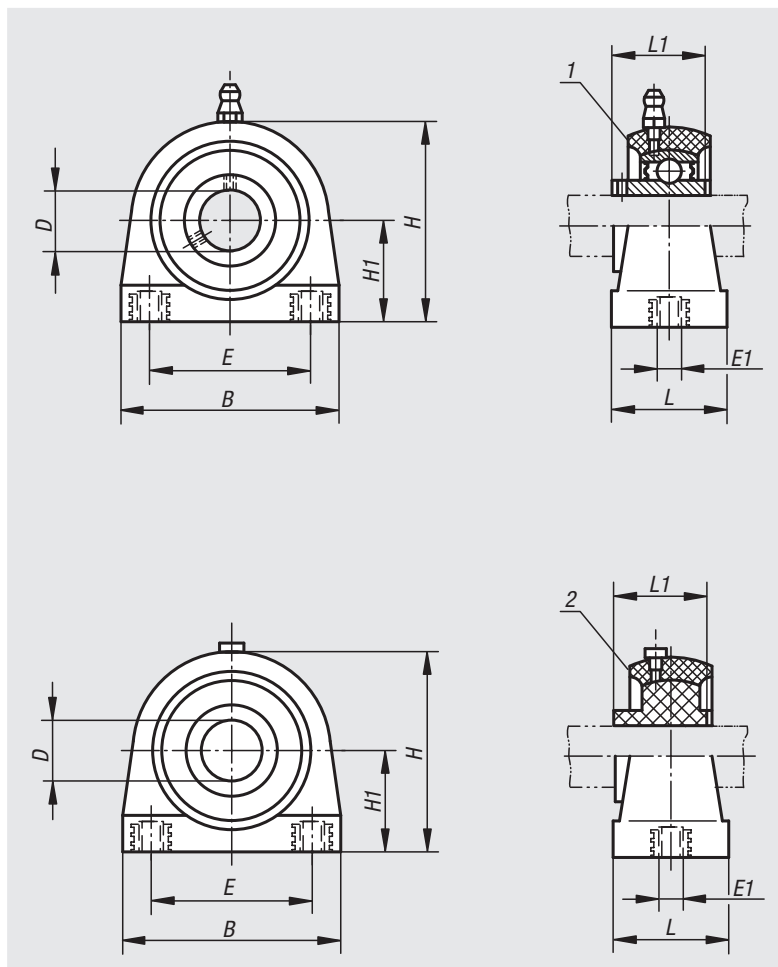
nIm 24262-01-12201

**Note:**

The housings are very robust, hard wearing and shock proof. They are resistant to most alkaline solutions, weak acids (PH 4-9) and brines. In contrast to cast or steel housings the special plastic in these housings prevent the formation of micro-organisms.

**Drawing reference:**

- 1) ball bearing
- 2) plain bearing



**With ball bearing**

Order No.	Housing	D	H1	B	H	E	E1	L	L1
24262-01-12201	201	12	33,3	72,8	66	50,8	M8	34,5	31
24262-01-15202	202	15	33,3	72,8	66	50,8	M8	34,5	31
24262-01-20204	204	20	33,3	72,8	66	50,8	M8	34,5	31
24262-01-25205	205	25	36,5	76,2	73,5	50,8	M10	39,5	34
24262-01-30206	206	30	42,9	101	84	76,2	M10	42,5	38,1
24262-01-35207	207	35	47,6	110	95	82,6	M10	47,5	42,9
24262-01-40208	208	40	49,2	120	100,5	88,9	M12	48	49,2

**With POM plain bearing**

Order No.	Housing	D	H1	B	H	E	E1	L	L1
24262-01-112201	201	12	33,3	72,8	66	50,8	M8	34,5	31
24262-01-115202	202	15	33,3	72,8	66	50,8	M8	34,5	31
24262-01-120204	204	20	33,3	72,8	66	50,8	M8	34,5	31
24262-01-125205	205	25	36,5	76,2	73,5	50,8	M10	39,5	34
24262-01-130206	206	30	42,5	101	84	76,2	M10	42,5	38,1
24262-01-135207	207	35	47,6	110	95	82,6	M10	47,5	42,9
24262-01-140208	208	40	49,2	120	100,5	88,9	M12	48	49,2

2000  
2100  
22000  
23000  
24000  
26000  
27000  
28000  
29000  
31000  
32000  
33000