

Insert bearing MUC

stainless steel



Material:

Stainless steel 1.4125.
Seal, rubber NBR.

Version:

Sealed on both sides with a spherical outer ring.
Can be re-lubricated.

Sample order:

nlm 24248-20204

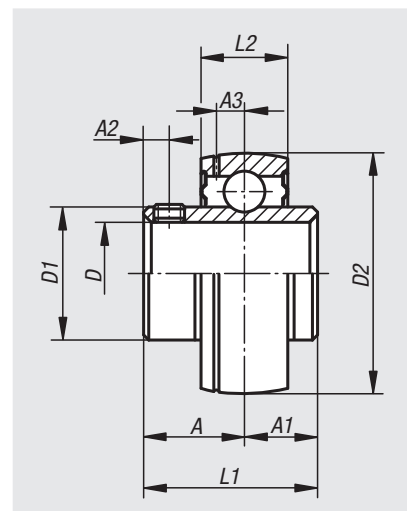
Note:

The internal construction of the insert bearings corresponds to that of standard Series 6200 and 6300 radial ball bearing. However, they have wider inner rings for easier fastening on shafts. The inner rings are manufactured with a plus tolerance. This results in transition or press fits when using shafts with h-tolerances. The shaft is secured by 2 grub screws positioned 120° apart on the inner ring.

The insert bearings are ready to install and are permanently lubricated with a suitable ball bearing grease. In normal applications, re-lubrication is not necessary.

Temperature range:

-15 °C to +100 °C.



Order No.	Bearing	D	A	A1	A2	A3	D1	D2	L1	L2	Grub screw	Dynamic base loads kN	Static base loads kN
24248-20204	MUC 204	20	18,3	12,7	4,8	3,7	29	47	31	17	M6x0,75	9,88	6,2
24248-25205	MUC 205	25	19,8	14,3	5	3,9	34	52	34,1	17	M6x0,75	7,36	6,98
24248-30206	MUC 206	30	22,2	15,9	5	5	40,5	62	38,1	19	M6x0,75	14,97	10,04
24248-35207	MUC 207	35	25,4	17,5	7	5,7	48	72	42,9	20	M8x1	19,75	13,67
24248-40208	MUC 208	40	30,2	19	8	6,2	53	80	49,2	21	M8x1	22,71	15,94
24248-45209	MUC 209	45	30,2	19	8	6,4	57,3	85	49,2	22	M8x1	24,36	17,71
24248-50210	MUC 210	50	32,6	19	10	6,5	63	90	51,6	24	M10x1,25	26,98	19,84