

# Pillow block bearing flange type

2-hole



**Material:**

Housing 1.4301.  
Ball bearing 1.4112.  
Plain bearing POM.

**Version:**

Plain bearing white.  
Stainless steel parts bright.

**Sample order:**

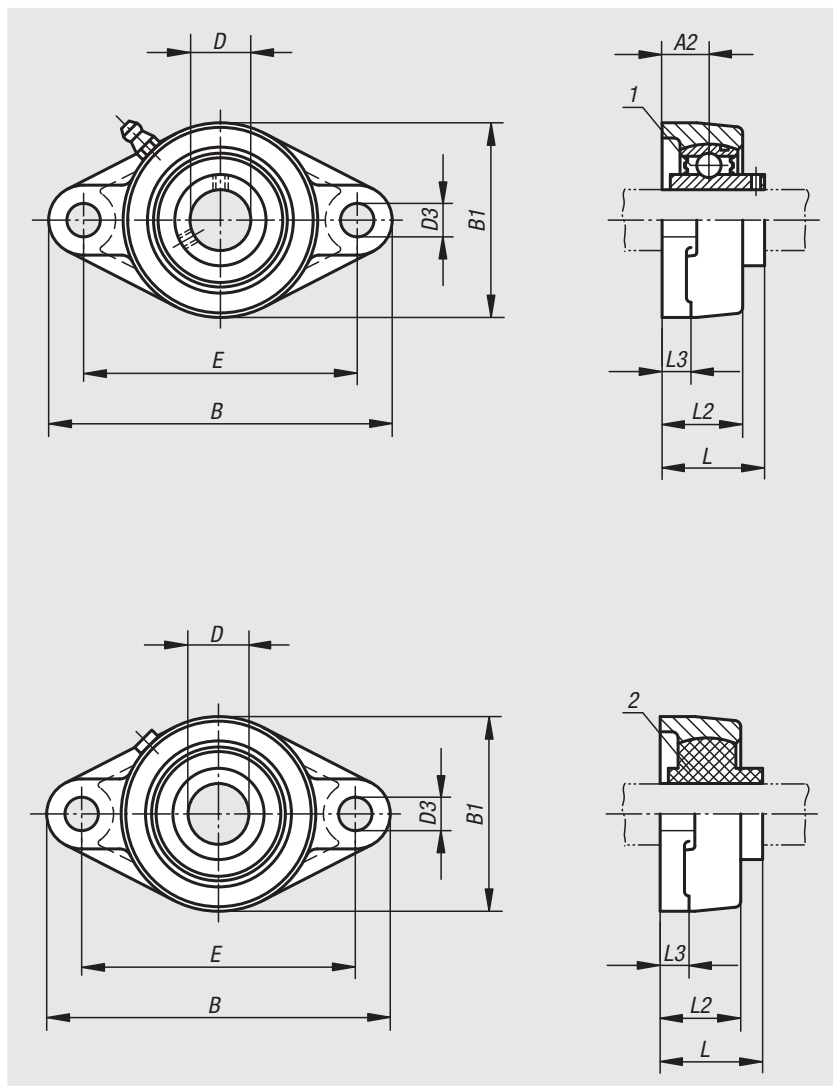
nIm 24244-01-12201

**Note:**

These stainless steel pillow block bearings have the same operating dimensions as the standard bearing housings of the major manufacturers, and can so be used or exchanged in existing constructions.

**Drawing reference:**

- 1) ball bearing
- 2) plain bearing



**With ball bearing**

Order No.	Housing	D	B	E	B1	D3	L	L2	L3	A2
24244-01-12201	201	12	112	90	60	11	33	26	11	14,7
24244-01-15202	202	15	112	90	60	11	33	26	11	14,7
24244-01-20204	204	20	112	90	60	11	33	26	11	14,7
24244-01-25205	205	25	125	99	67,5	11,5	35,5	27	13	15,8
24244-01-30206	206	30	141	117	80	11,5	40	30,2	14,3	17,8
24244-01-35207	207	35	156	130	90	13	44,5	34	14,3	19,1
24244-01-40208	208	40	172	144	100	13	51,2	36	14,3	21

**With POM plain bearing**

Order No.	Housing	D	B	E	B1	D3	L	L2	L3
24244-01-112201	201	12	112	90	60	11	33	26	11
24244-01-115202	202	15	112	90	60	11	33	26	11
24244-01-120204	204	20	112	90	60	11	33	26	11
24244-01-125205	205	25	125	99	67,5	11,5	35,5	27	13
24244-01-130206	206	30	141	117	80	11,5	40	30,2	14,3
24244-01-135207	207	35	156	130	90	13	44,5	34	14,3
24244-01-140208	208	40	172	144	100	13	51,2	36	14,3

2000  
2100  
22000  
23000  
24000  
26000  
27000  
28000  
29000  
31000  
32000  
33000