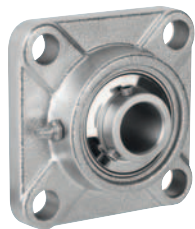


Pillow block bearing flange type MUCF

stainless steel



Material:

Housing, stainless steel 1.4301.

Bearing, stainless steel 1.4125.

Seal, rubber NBR.

Version:

Bright.

Sample order:

nlm 24242-20204

Note:

Pillow block bearings consist of a sealed single-row ball bearing with a spherical outer ring which is mounted in a housing. Because of the spherical outer surface of the bearing, shaft misalignment can be compensated for. The bearings are manufactured with a plus tolerance. This results in transition or press fits when using shafts with h-tolerances. The shaft is secured by grub screws on the inner ring.

In normal applications, pillow block bearings are maintenance-free due to the lifetime lubrication. In difficult environmental conditions re-lubrication can be carried out over the grease nipple.

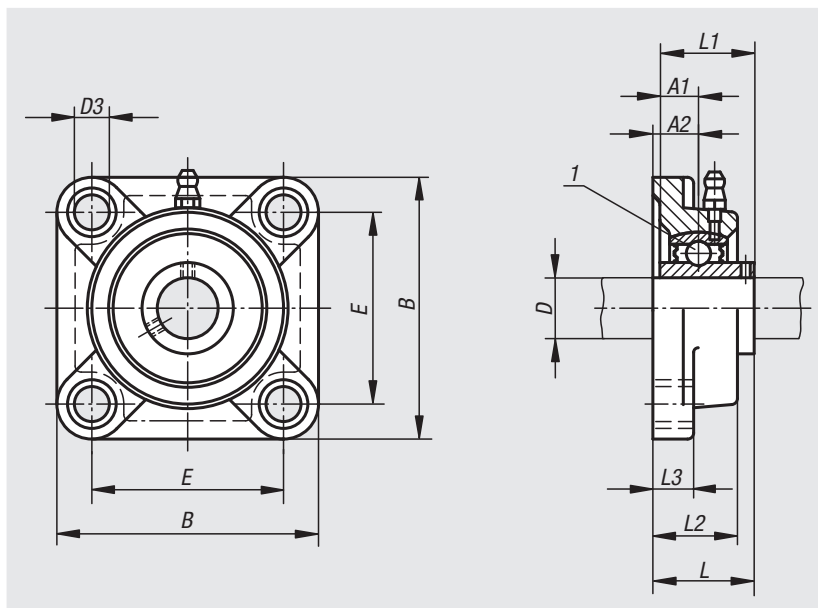
All housing dimensions are nominal dimensions for which the usual casting tolerances must be taken into consideration.

Temperature range:

-15 °C to +100 °C.

Drawing reference:

1) ball bearing



Order No.	Bearing	Housing	D	A1	A2	B	D3	E	L	L1	L2	L3	Fastening screw
24242-20204	MUC 204	F 204	20	12,7	15	86	12	64	33,3	31	25,5	12	M10
24242-25205	MUC 205	F 205	25	14,3	16	95	12	70	35,8	34,1	27	14,3	M10
24242-30206	MUC 206	F 206	30	15,9	18	108	12	83	40,2	38,1	31	14	M10
24242-35207	MUC 207	F 207	35	17,5	19	117	14	92	44,4	42,9	34	15,9	M12
24242-40208	MUC 208	F 208	40	19	21	130	16	102	51,2	49,2	36	15,9	M14
24242-45209	MUC 209	F 209	45	19	22	137	16	105	52,2	49,2	38	16,7	M14
24242-50210	MUC 210	F 210	50	19	22	143	16	111	54,6	51,6	40	15,9	M14