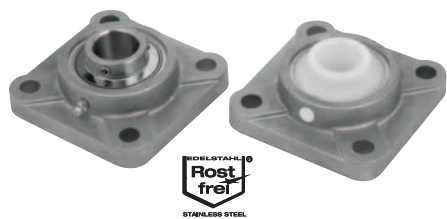


# Pillow block bearing flange type



**Material:**

Housing 1.4301.  
Ball bearing 1.4112.  
Plain bearing POM.

**Version:**

Plain bearing white.  
Stainless steel parts bright.

**Sample order:**

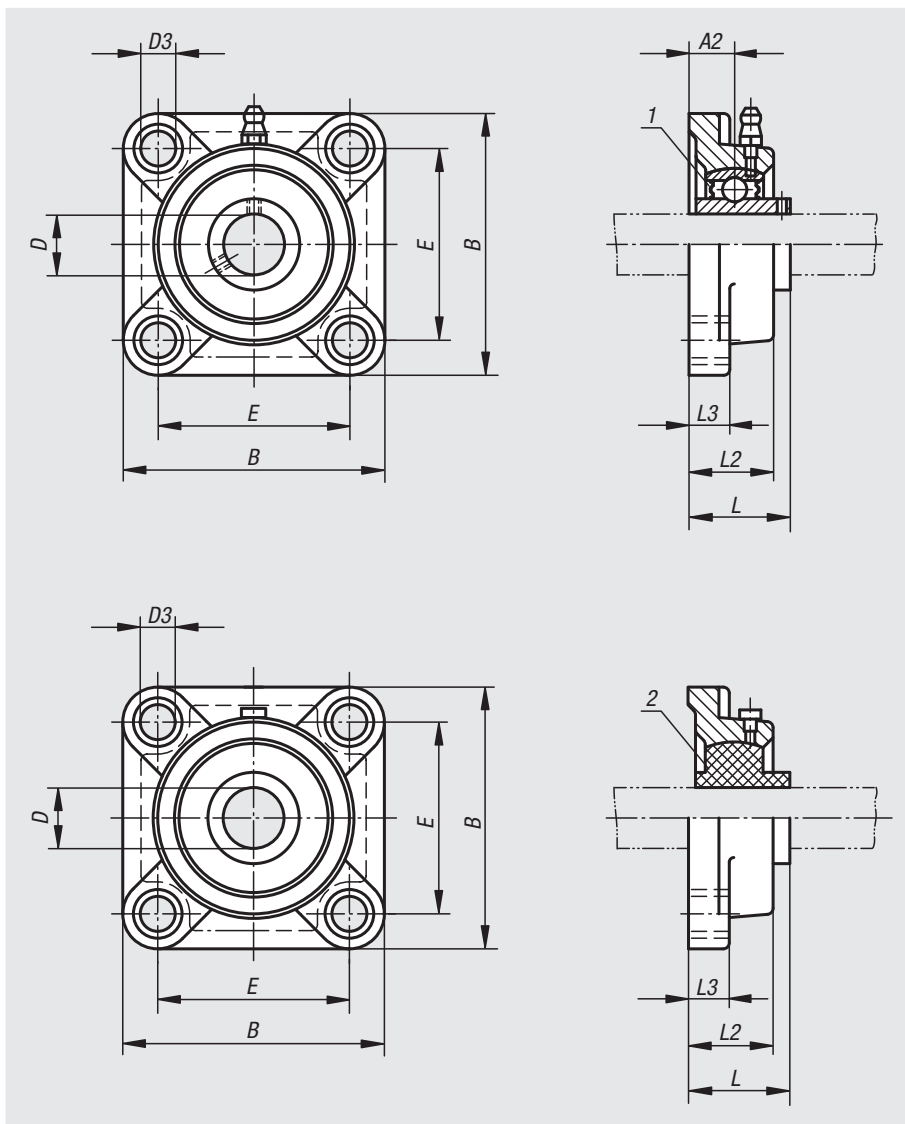
nlm 24242-01-12201

**Note:**

These stainless steel pillow block bearings have the same operating dimensions as the standard bearing housings of the major manufacturers, and can so be used or exchanged in existing constructions.

**Drawing reference:**

- 1) ball bearing
- 2) plain bearing



Order No.	Housing	D	B	E	D3	L	L2	L3	A2
24242-01-12201	201	12	86	64	64	33,2	25,7	12	14,9
24242-01-15202	202	15	86	64	64	33,2	25,7	12	14,9
24242-01-20204	204	20	86	64	64	33,2	25,7	12	14,9
24242-01-25205	205	25	95	70	70	35,5	27,3	14	15,8
24242-01-30206	206	30	108	83	83	40,1	30,7	14	17,9
24242-01-35207	207	35	117	92	92	44,4	34	14,3	19
24242-01-40208	208	40	130	102	102	51,2	36	14,3	21

2000  
2100  
22000  
23000  
24000  
26000  
27000  
28000  
29000  
31000  
32000  
33000