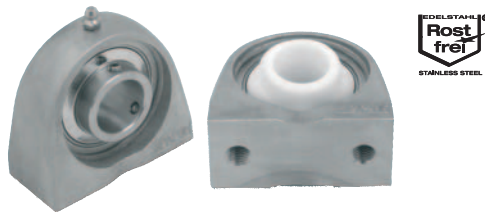


Pillow block bearing pedestal type



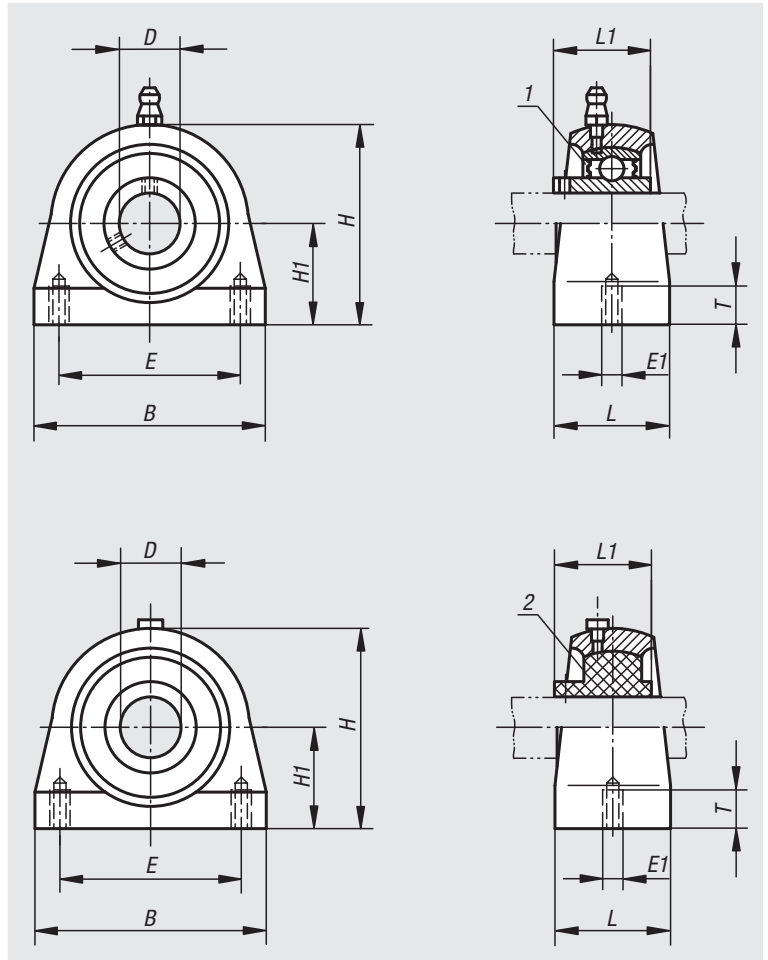
Material:
 Housing 1.4301.
 Ball bearing 1.4112.
 Plain bearing POM.

Version:
 Plain bearing white.
 Stainless steel parts bright.

Sample order:
 nlm 24241-01-12201

Note:
 These stainless steel pillow block bearings have the same operating dimensions as the standard bearing housings of the major manufacturers, and can so be used or exchanged in existing constructions.

Drawing reference:
 1) ball bearing
 2) plain bearing



With ball bearing

Order No.	Housing	D	H1	B	H	E	E1	T	L	L1
24241-01-12201	201	12	33,3	73	65	50,8	M8	10	38	31
24241-01-15202	202	15	33,3	73	65	50,8	M8	10	38	31
24241-01-20204	204	20	33,3	73	65	50,8	M8	10	38	31
24241-01-25205	205	25	36,7	76	71	50,8	M10	12,5	38	34
24241-01-30206	206	30	42,9	102	86	76,1	M10	12,5	38	38,1
24241-01-35207	207	35	47,6	108	95	82,6	M10	12,5	48	42,9
24241-01-40208	208	40	49,2	117	100	88,9	M12	15	48	49,2

With POM plain bearing

Order No.	Housing	D	H1	B	H	E	E1	T	L	L1
24241-01-112201	201	12	33,3	73	65	50,8	M8	10	38	31
24241-01-115202	202	15	33,3	73	65	50,8	M8	10	38	31
24241-01-120204	204	20	33,3	73	65	50,8	M8	10	38	31
24241-01-125205	205	25	36,7	76	71	50,8	M10	12,5	38	34
24241-01-130206	206	30	42,9	102	86	76,1	M10	12,5	38	38,1
24241-01-135207	207	35	47,6	108	95	82,6	M10	12,5	48	42,9
24241-01-140208	208	40	49,2	117	100	88,9	M12	15	48	49,2

2000
2100
22000
23000
24000
26000
27000
28000
29000
31000
32000
33000