

Pillow block bearing pedestal type



Material:

Housing 1.4301.
Ball bearing 1.4112.
Plain bearing POM.

Version:

Plain bearing white.
Stainless steel parts bright.

Sample order:

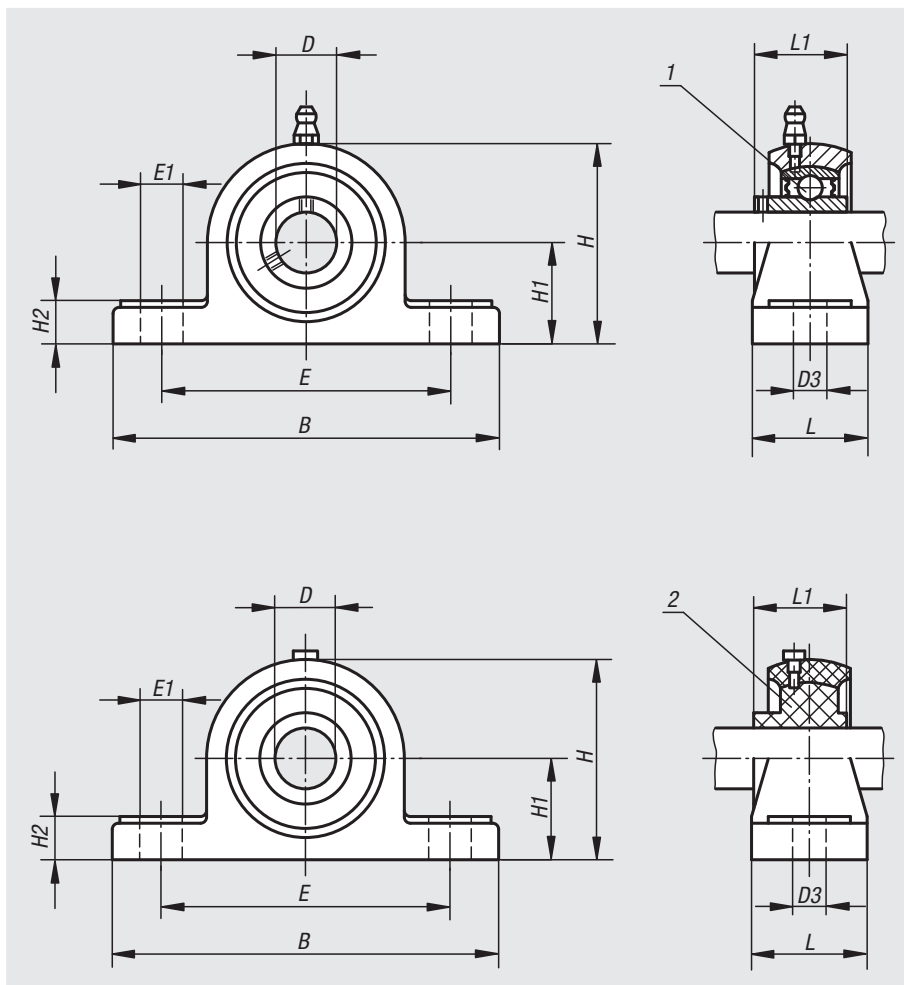
nlm 24240-01-12201

Note:

These stainless steel pillow block bearings have the same operating dimensions as the standard bearing housings of the major manufacturers, and can so be used or exchanged in existing constructions.

Drawing reference:

- 1) ball bearing
- 2) plain bearing



With ball bearing

Order No.	Housing	D	H1	B	H	E	E1	L	L1	D3	H2
24240-01-12201	201	12	33,3	126,1	64,4	95	19	38,2	31	13	15
24240-01-15202	202	15	33,3	126,1	64,4	95	19	38,2	31	13	15
24240-01-20204	204	20	33,3	126,1	64,4	95	19	38,2	31	13	15
24240-01-25205	205	25	36,5	140,6	69,7	105	19	38,2	34	13	15,7
24240-01-30206	206	30	43	165	83,2	121	21	48,2	38,1	17	18,3
24240-01-35207	207	35	47,6	167	94	127	21	48	42,9	17	19
24240-01-40208	208	40	49,2	184	100	137	23	54	49,2	17	19

With POM plain bearing

Order No.	Housing	D	H1	B	H	E	E1	L	L1	D3	H2
24240-01-112201	201	12	33,3	126,1	64,4	95	19	38,2	31	13	15
24240-01-115202	202	15	33,3	126,1	64,4	95	19	38,2	31	13	15
24240-01-120204	204	20	33,3	126,1	64,4	95	19	38,2	31	13	15
24240-01-125205	205	25	36,5	140,6	69,7	105	21	38,2	34	13	18,3
24240-01-130206	206	30	43	165	83,2	121	21	48,2	38,1	17	19
24240-01-135207	207	35	47,6	167	94	127	21	48	42,9	17	19
24240-01-140208	208	40	49,2	184	100	137	23	54	49,2	17	19